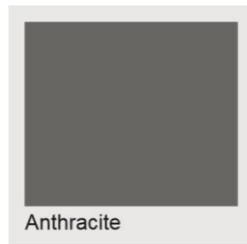


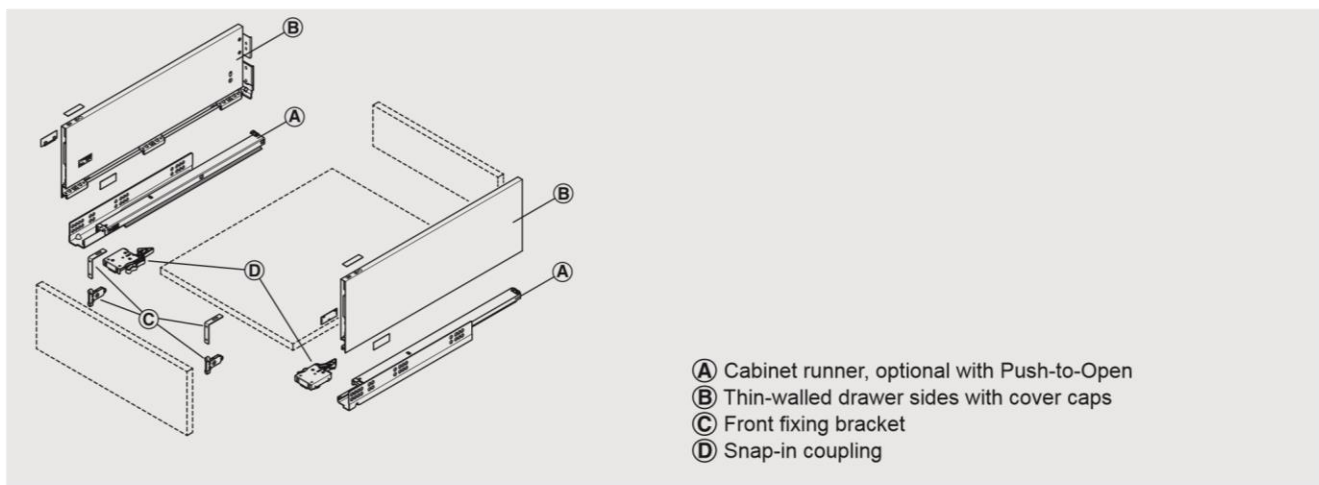


3 drawer side colours are available

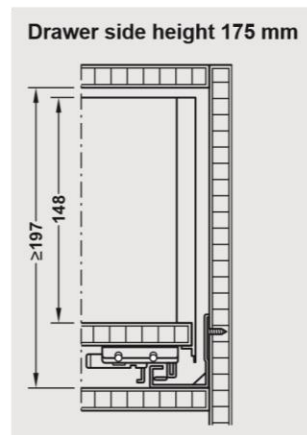
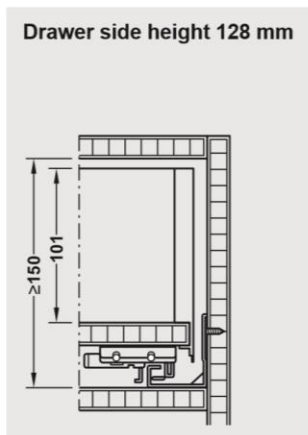
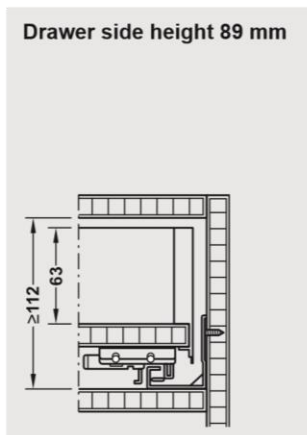
3 drawer side colours are available



Definition

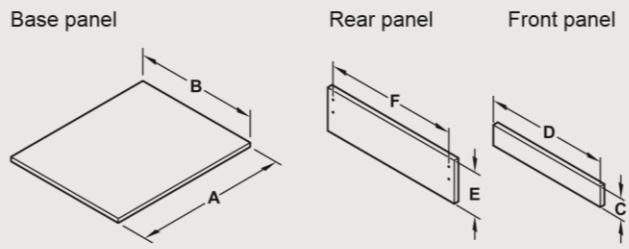


Drawer side design





Cutting dimensions for panels and front panels (panel thickness of 16 mm)

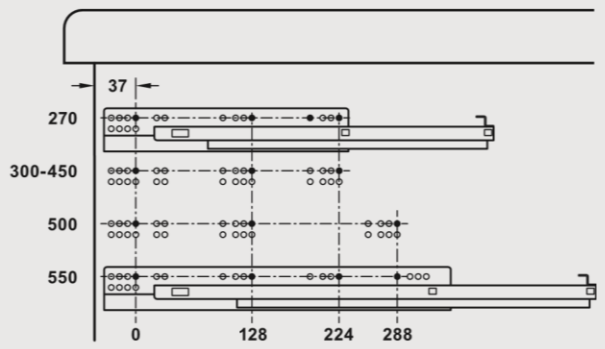


A = nominal length – 10 mm
 B = internal cabinet width – 19 mm
 C = rear panel height
 D = internal cabinet width – 40 mm
 F = internal cabinet width – 29 mm

Drawer side height	Load bearing capacity	Rear panel height C
89 mm	30 kg	63 mm
128 mm	30 kg	101 mm
175 mm	30 kg	148 mm

Drilling pattern for cabinet

For drawer side height 89 mm, 128 mm and 175 mm



Front gap 1 mm

Calculation of the internal drawer space dimensions

Internal drawer width, e.g.:
 External cabinet width 600 mm
 – (2 x side panel thickness) – (2 x 19 mm = 38 mm)
 – (2 x installation dimension) – (2 x 20 mm = 40 mm)
 = internal drawer width = 522 mm

External cabinet width mm	300	400	500	600	800
Side panel thickness mm	Internal drawer width mm				
16	228	328	428	528	728
19	222	322	422	522	722

Internal drawer depth, e.g.:
 Nominal length cabinet runner 500 mm
 – rear panel thickness – 16 mm
 = internal drawer depth = 484 mm

Internal cabinet depth

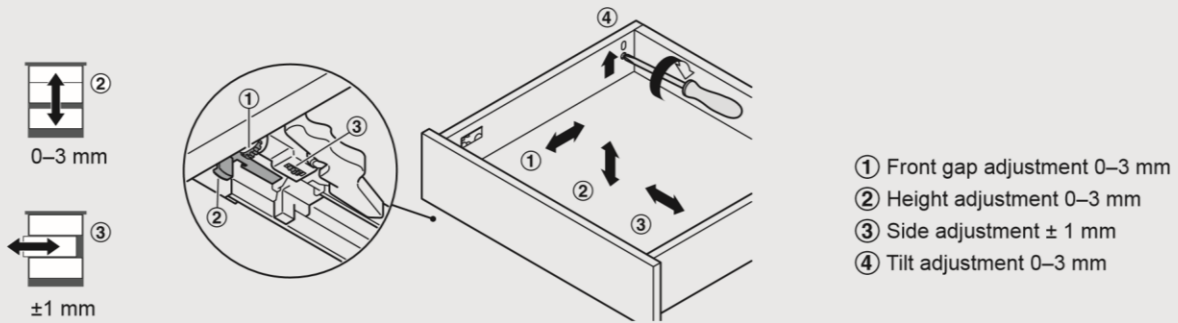


Min. internal cabinet depth = nominal length NL + 20 mm

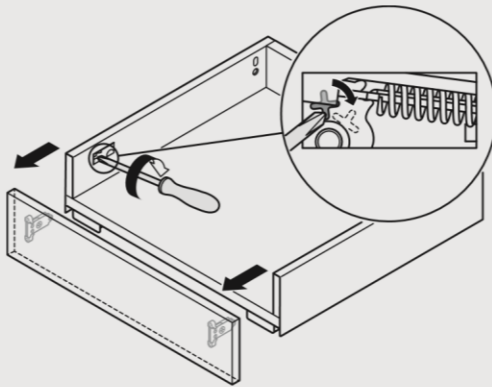


Adjustment facilities

Convenient height and side adjustment, tilt and front gap adjustment when installed



No tools required for mounting and removing the panel



Installation and removal of the drawer

