



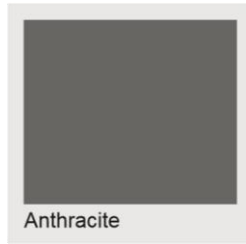
3 drawer sides colours are available



White



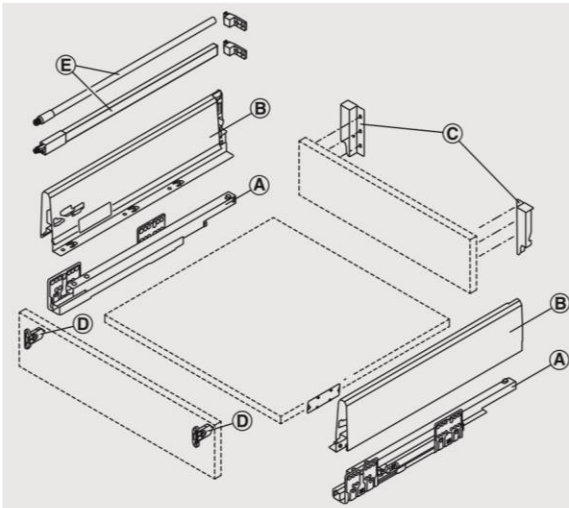
Grey



Anthracite



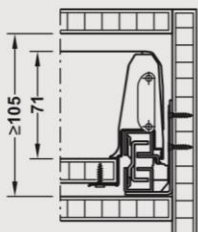
Definition



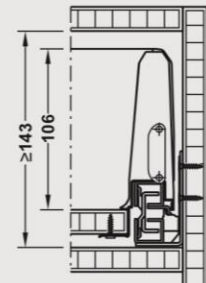
- Ⓐ Cabinet runner
- Ⓑ Drawer sides
- Ⓒ Rear panel fitting
- Ⓓ Front fixing bracket
- Ⓔ Side railing, round/straight-edged

Drawer side design

Drawer side height 84 mm

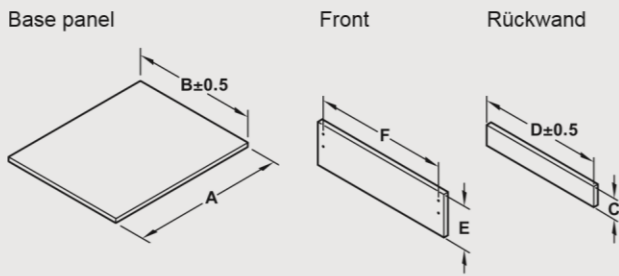


Drawer side height 120 mm





Cutting dimensions for panels (panel thickness of 16 mm)

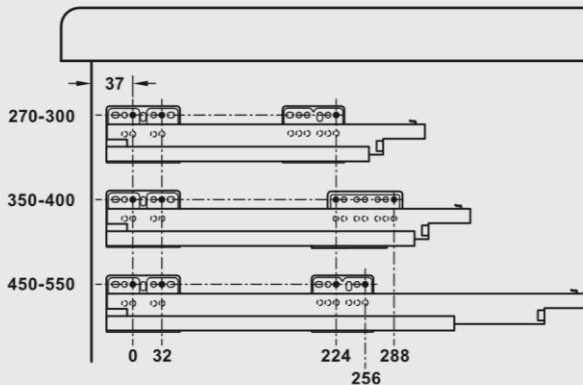


A = nominal length – 24 mm
 B = internal cabinet width – 75 mm
 C = rear panel height
 D = internal cabinet width – 87 mm
 F = internal cabinet width – 31 mm

Drawer side height	Load bearing capacity	Rear panel height C
84 mm	35 kg	84 mm
120 mm	35 kg	120 mm

Drilling pattern for cabinet

For drawer side height 84 mm and 120 mm



Front gap 1 mm



Calculation of the internal drawer space dimensions

Internal drawer width, e.g.:

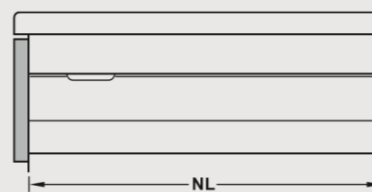
External cabinet width 600 mm
 – (2 x side panel thickness) – (2 x 19 mm = 38 mm)
 – (2 x installation dimension) – (2 x 31 mm = 75 mm)
 = internal drawer width = 487 mm

External cabinet width mm	300	400	500	600	800
Side panel thickness mm	Internal drawer width mm				
16	193	293	393	493	693
19	187	287	387	487	687

Internal drawer depth, e.g.:

Nominal length cabinet runner 500 mm
 – installation dimension – 8 mm
 – rear panel thickness – 16 mm
 = internal drawer depth = 476 mm

Internal cabinet depth

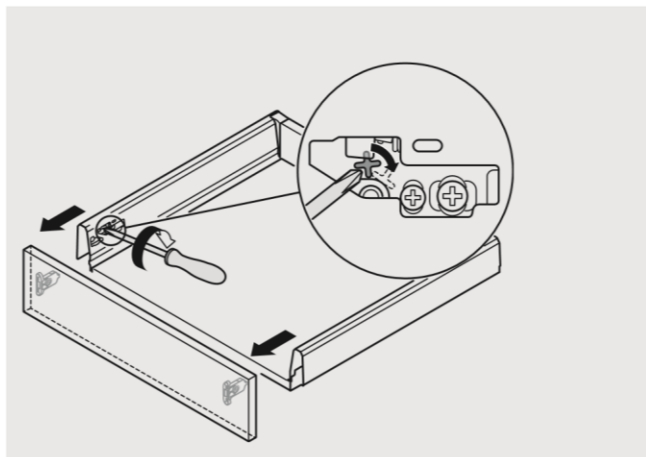
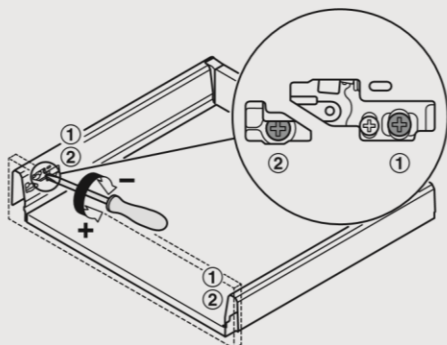


Min. internal cabinet depth = nominal length NL + 16 mm



Adjustable height from 110 mm to 120 mm

Height and side adjustment from inside when installed



Installation and removal of the drawer

