

SL-FL34-10000

FLIPLens Optical Silicone Cover

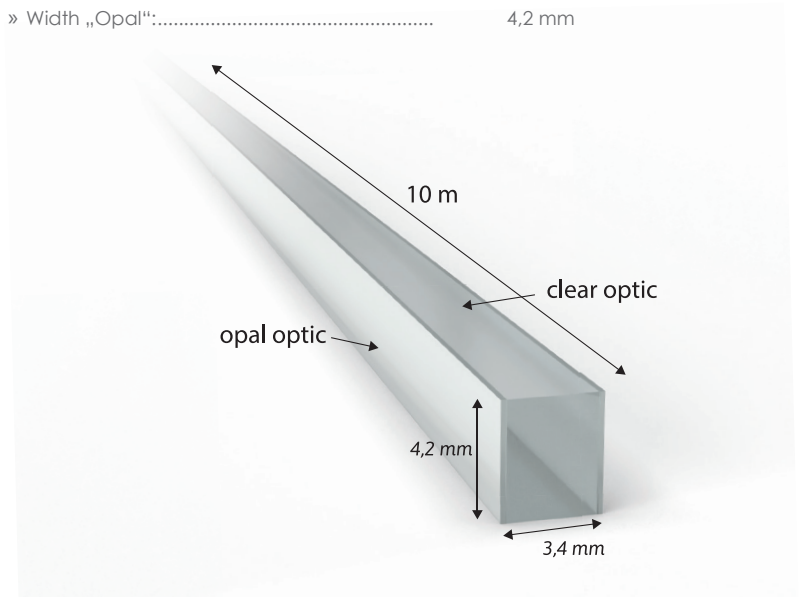


PRODUCT FEATURES

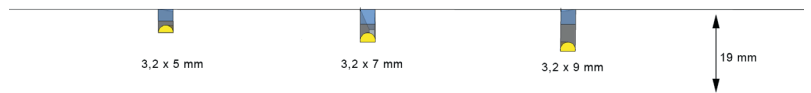
- » Optical silicone cover with clear and opal light refraction
- » Clear optics to be processed with 3.2 mm wide saw blade
- » Opal optic to be processed with 3,8 - 4 mm cutting or milling width.
- » Different beam angles due to different cutting depths
- » FLIPLens enables a sealing function of the cutting edge
- » Can be used in combination with 3 mm wide LED COB strips
- » The desired length can be cut with scissors or a knife.
- » Packaging unit: 1 piece

DIMENSIONS

- » Total length:..... 10.000 mm
- » Width „Clear“:..... 3,4 mm
- » Width „Opal“:..... 4,2 mm



MILLING DEPTH & BEAM ANGLE



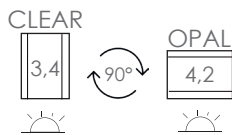
	CLEAR	OPAL
» 3,2 x 5 mm:.....	~ 65°	~160°
» 3,2 x 7 mm:.....	~ 45°	~160°
» 3,2 x 9 mm:.....	~ 25°	~160°

TRANSLUCENCY

- » Silicone Side „Clear“: 99%
- » Silicone Side „Opal“: 75%

SAFETY AND INSTALLATION INSTRUCTIONS

- » This product is not a toy and is not suitable for children!
- » The assembly must be carried out free of tension!



**Processing of FLIPLens with 3mm wide SIRO COB tape.
Before final processing, a test cut is recommended!**

PRODUCT INFORMATION



siro-led.at

RoHS CE

Darf nicht in den Hausmüll entsorgt werden.
Must not be disposed of in household waste.

SIRO Beschläge- und
Metallwarenfabrik
Spiefeldstraße 12
4452 Ternberg, Austria

Tel . +43 (0)7256.6020.0
Fax . +43 (0)7256.8932
E-Mail office@siro.at
Web . www.siro.at

© 2022 Alle Rechte
vorbehalten.