

poama



# pamar

MANIGLIE  
Handles 3

---

MANIGLIE PER PORTE SCORREVOLI  
Sliding doors handles 67

---

MANIGLIONI PER PORTE  
Large 73

---

CIONDOLI  
Pendants 79

---

POMOLI  
Knobs 83

---

PASSACAVI  
Cable outlets 113

---

PASSAVETRO  
Glass holder 129

---

TUBI E ACCESSORI  
Tubes and accessories 133

---

PIEDINI  
Feet 147

---

PORTABITI  
Hooks 155

---

REGGIMENSOLE  
Shelf holders 163

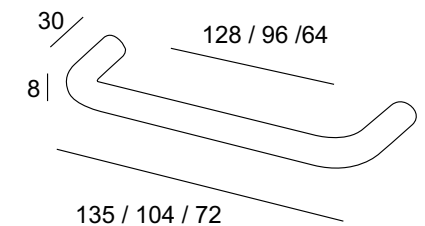
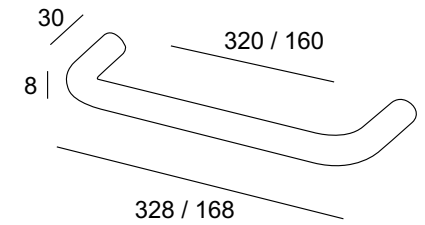
---

**MANIGLIE  
HANDLES**



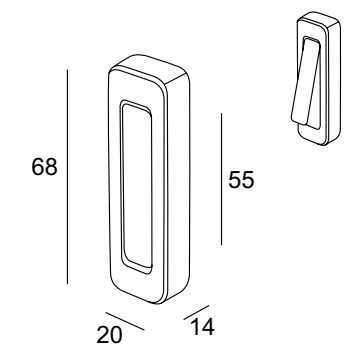
### MN 183 /8

finiture/finishings: E130  
nero opaco / mat black



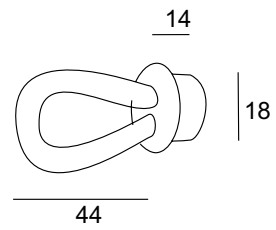
### MN 295 Z

finiture/finishings: E101  
alluminio opaco metallizzato /  
mat metallized aluminium  
G104  
cromato lucido / bright chrome plated  
G115  
nichel lucido satinato / bright satin nickel



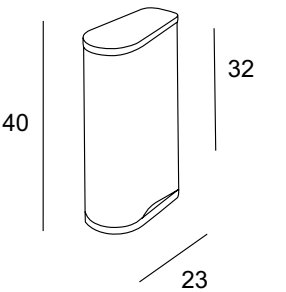
### MN 400 Z

**finiture/finishings:** E101U119  
alluminio opaco metallizzato con cordoncino in cuoio naturale /  
mat metallized aluminium with natural stronger leather twist  
E101U121  
alluminio opaco metallizzato con cordoncino in cuoio marrone /  
mat metallized aluminium with brown stronger leather twist



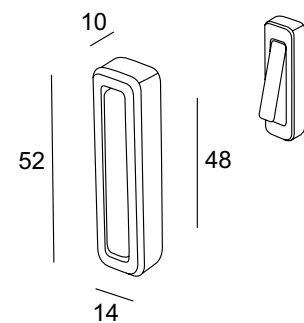
### MN 566 Z

**finiture/finishings:** E130U102  
nero opaco con cuoio nero /  
mat black with black stronger leather



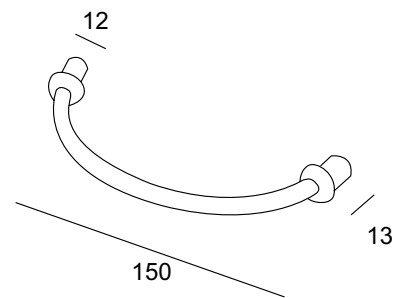
### MN 503 Z

**finiture/finishings:** E101  
alluminio opaco metallizzato / mat metallized aluminium  
E221  
bronzo opaco metallizzato / mat metallized bronze  
G104  
cromato lucido / bright chrome plated  
G115  
nichel lucido satinato / bright satin nickel



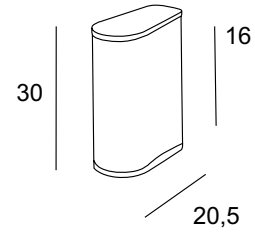
### MN 569 U

**finiture/finishings:** U119E101  
alluminio opaco metallizzato con cordoncino in cuoio naturale /  
mat metallized aluminium with natural stronger leather twist  
U121E101  
alluminio opaco metallizzato con cordoncino in cuoio marrone /  
mat metallized aluminium with brown stronger leather twist



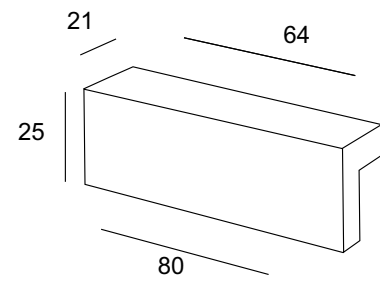
### MN 591 Z

finiture/finishings: E130U102  
 nero opaco con cuoio nero /  
 mat black with black stronger leather



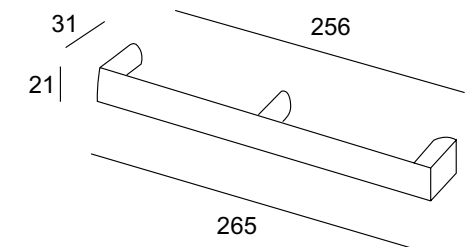
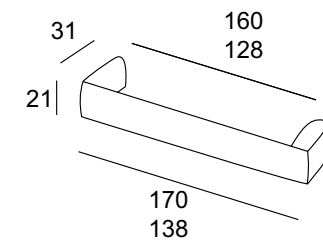
### MN 646 Z

finiture/finishings: E101  
 alluminio opaco metallizzato / mat metallized aluminium  
 G104  
 cromato lucido / bright chrome plated  
 G124  
 nichel lucido satinato con vernice trasparente lucido /  
 bright satin nickel with bright transparent paint



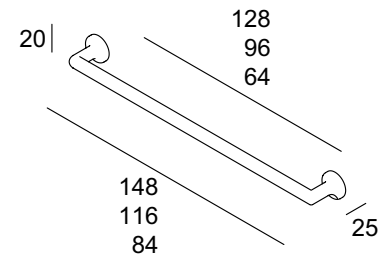
### MN 680 Z

finiture/finishings: G115  
 nichel lucido satinato / bright satin nickel



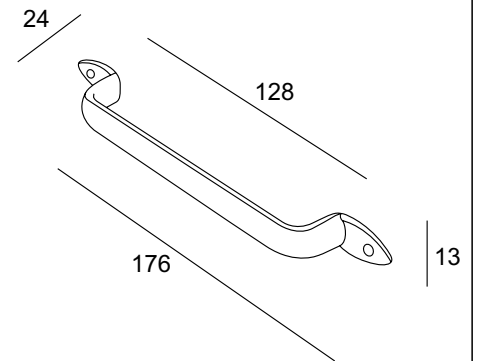
### MN 682 Z

finiture/finishings: E215  
alluminio metallizzato opaco con fondo /  
mat metallized aluminium with primer



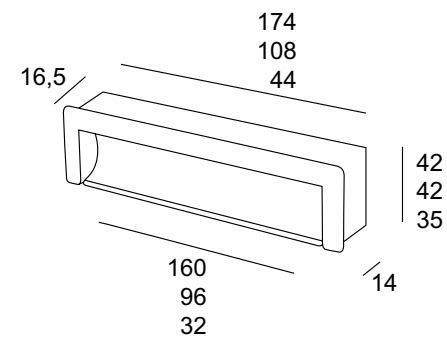
### MN 693 Z

finiture/finishings: E130  
nero opaco / mat black



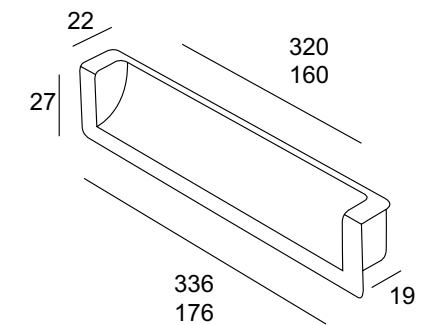
### MN 689 Z

finiture/finishings: E101E101  
alluminio metallizzato opaco / mat metallized aluminium  
G115G115  
nicel lucido satinato / bright satin nickel



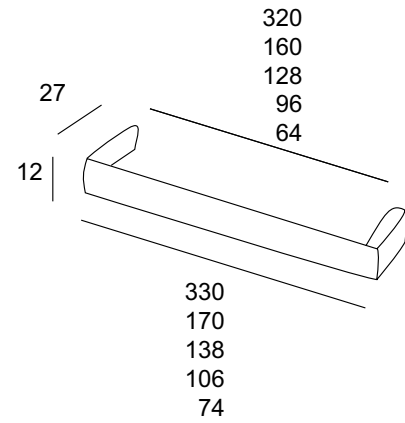
### MN 732 I

finiture/finishings: E215  
alluminio metallizzato opaco con fondo /  
mat metallized aluminium with primer  
E228  
nero opaco con fondo / mat black with primer



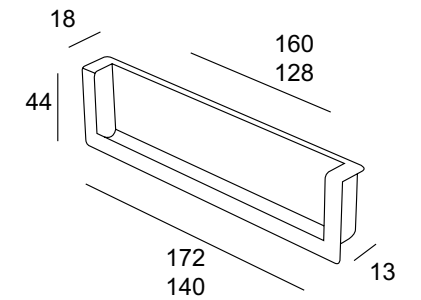
### MN 735 Z

**finiture/finishings:** E101  
alluminio metallizzato opaco / mat metallized aluminium  
E130  
nero opaco / mat black  
C124  
nicel lucido satinato con vernice trasparente lucido /  
bright satin nickel with bright transparent paint



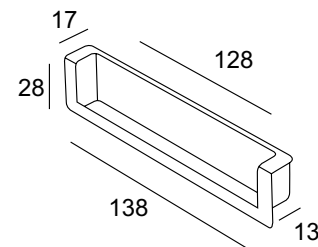
### MN 748 Z

**finiture/finishings:** E215  
alluminio metallizzato opaco con fondo /  
mat metallized aluminium with primer  
E228  
nero opaco con fondo / mat black with primer



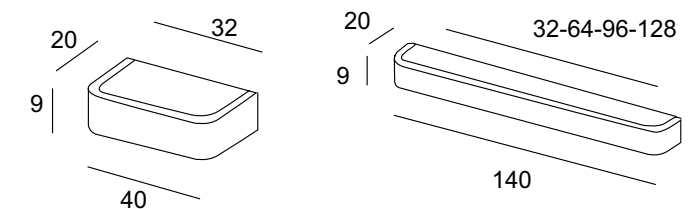
### MN 743 Z

**finiture/finishings:** E215  
alluminio metallizzato opaco con fondo /  
mat metallized aluminium with primer  
E228  
nero opaco con fondo / mat black with primer



### MN 751 Z

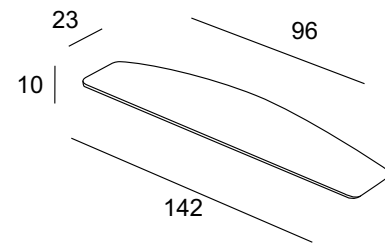
**finiture/finishings:** E101  
alluminio metallizzato opaco / mat metallized aluminium  
E130  
nero opaco / mat black





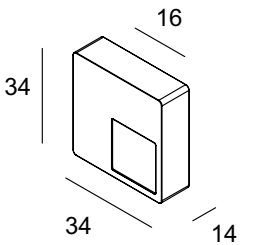
**MN 753 Z**

finiture/finishings: E101  
alluminio metallizzato opaco / mat metallized aluminium



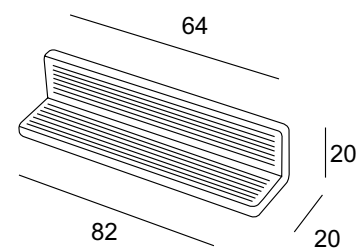
**MN 795 Z**

finiture/finishings: E230  
acciaio opaco metallizzato con fondo /  
mat metallized steel with primer



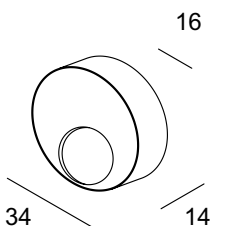
**MN 768 Z**

finiture/finishings: E228  
nero opaco con fondo / mat black with primer



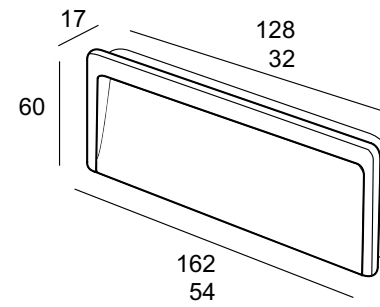
**MN 796 Z**

finiture/finishings: E230  
acciaio opaco metallizzato con fondo /  
mat metallized steel with primer



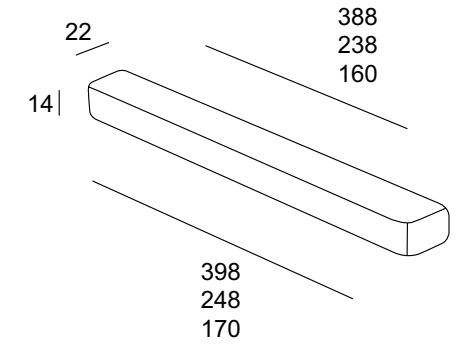
### MN 800 Z

finiture/finishings: E215E215  
 alluminio metallizzato opaco con fondo /  
 mat metallized aluminium with primer  
 G115G115  
 nichel lucido satinato / bright satin nickel



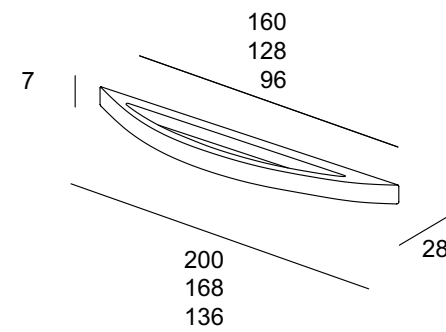
### MN 846 Z

finiture/finishings: E215  
 alluminio metallizzato opaco con fondo /  
 mat metallized aluminium with primer  
 E237  
 bronzo opaco metallizzato con fondo /  
 mat metallized bronze with primer



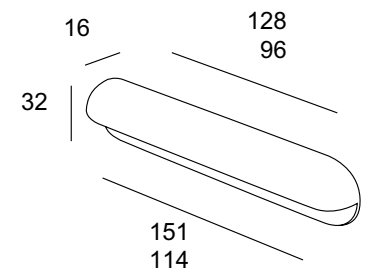
### MN 803 Z

finiture/finishings: E230  
 acciaio opaco metallizzato con fondo /  
 mat metallized steel with primer



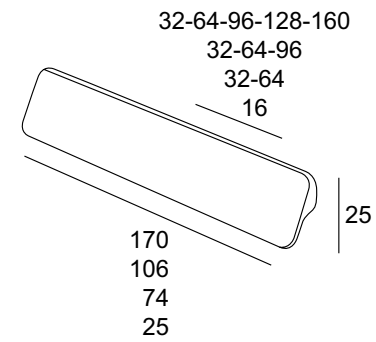
### MN 867 Z

finiture/finishings: E230  
 acciaio opaco metallizzato con fondo /  
 mat metallized steel with primer



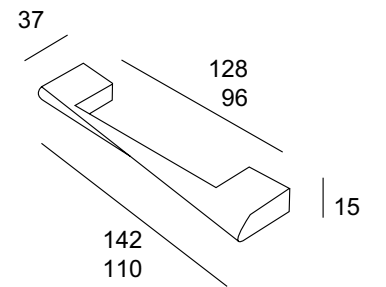
### MN 868 Z

finiture/finishings: E101  
 alluminio metallizzato opaco / mat metallized aluminium  
 G115  
 nichel lucido satinato / bright satin nickel



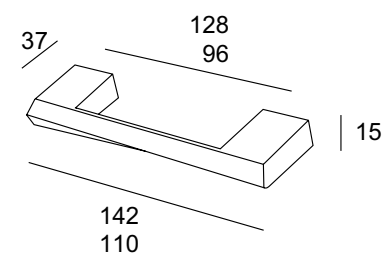
### MN 870 Z

finiture/finishings: E230  
 acciaio opaco metallizzato con fondo /  
 mat metallized steel with primer



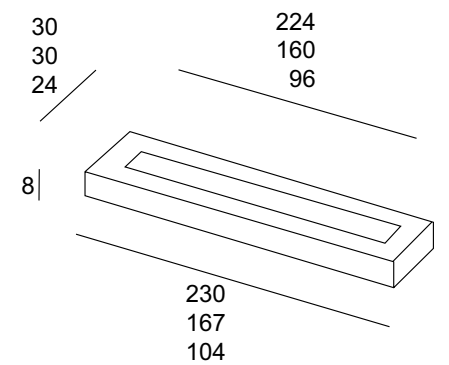
### MN 869 Z

finiture/finishings: E230  
 acciaio opaco metallizzato con fondo /  
 mat metallized steel with primer



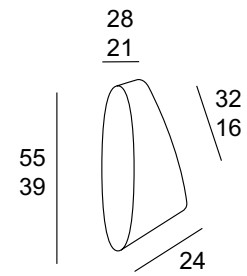
### MN 875 Z

finiture/finishings: E230  
 acciaio opaco metallizzato con fondo /  
 mat metallized steel with primer



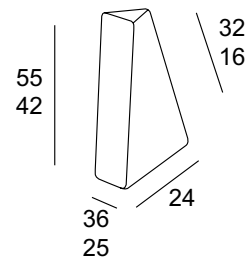
### MN 876 Z

finiture/finishings: E230  
acciaio opaco metallizzato con fondo /  
mat metallized steel with primer



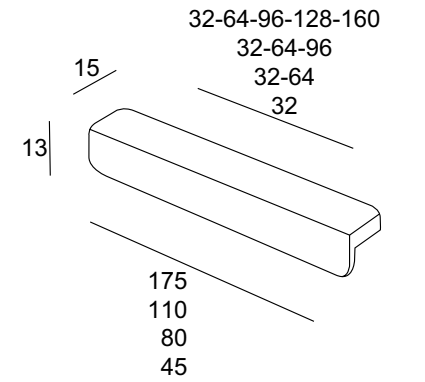
### MN 877 Z

finiture/finishings: E230  
acciaio opaco metallizzato con fondo /  
mat metallized steel with primer



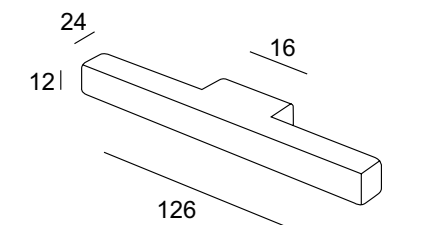
### MN 886 Z

finiture/finishings: E101  
alluminio metallizzato opaco / mat metallized aluminium  
E130  
nero opaco / mat black



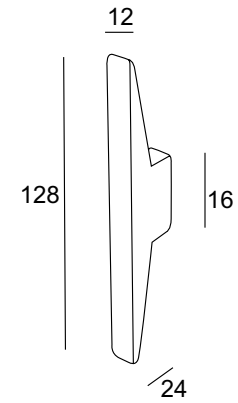
### MN 890 Z

finiture/finishings: E230  
acciaio opaco metallizzato con fondo /  
mat metallized steel with primer



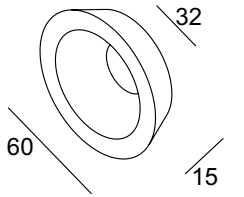
**MN 891 Z**

finiture/finishings: E230  
acciaio opaco metallizzato con fondo /  
mat metallized steel with primer



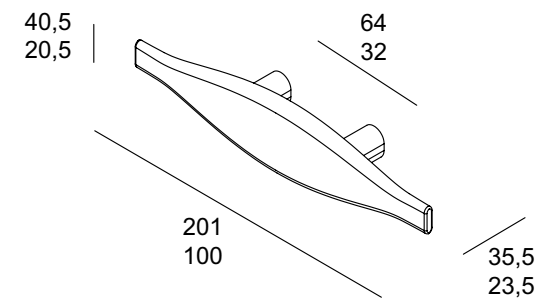
**MN 895 Z**

finiture/finishings: E230  
acciaio opaco metallizzato con fondo /  
mat metallized steel with primer



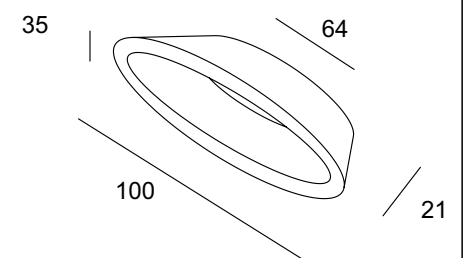
**MN 894 Z**

finiture/finishings: E228  
nero opaco con fondo / mat black with primer



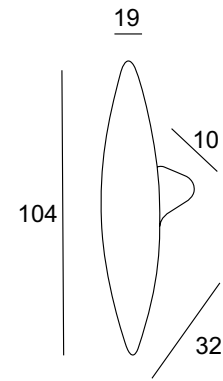
**MN 896 Z**

finiture/finishings: E230  
acciaio opaco metallizzato con fondo /  
mat metallized steel with primer



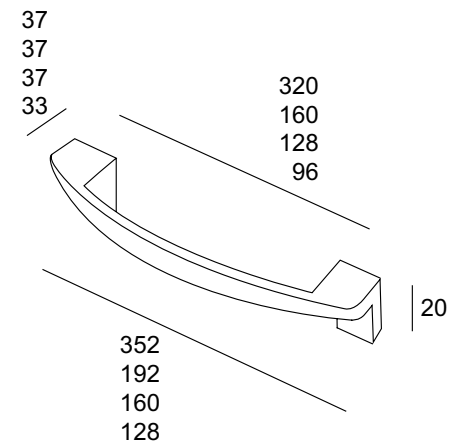
### MN 900 Z

finiture/finishings: E216  
 metallizzato argento mat con fondo /  
 mat metallized silver with primer



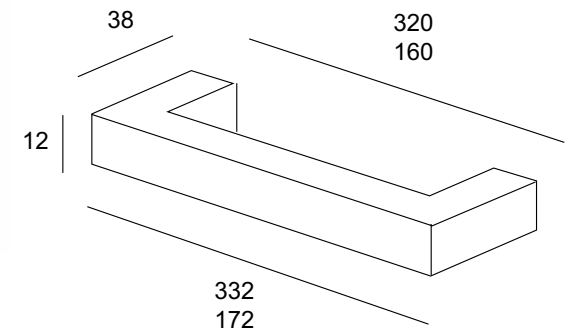
### MN 905 Z

finiture/finishings: E228  
 nero opaco con fondo / mat black with primer



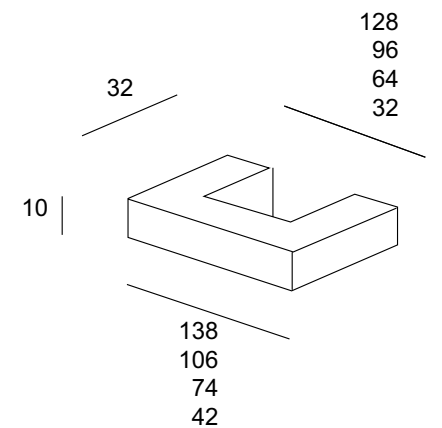
### MN 934 Z

finiture/finishings: E101  
 alluminio metallizzato opaco / mat metallized aluminium



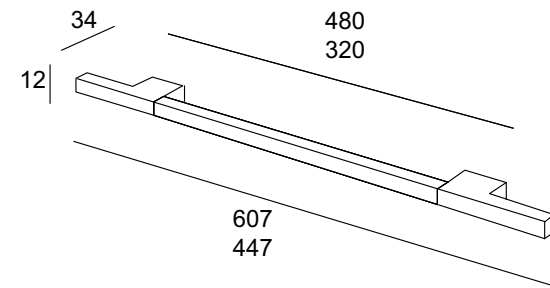
### MN 935 Z

finiture/finishings: E101  
 alluminio metallizzato opaco / mat metallized aluminium



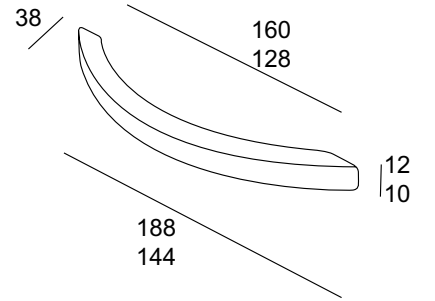
# MN 940 Z

finiture/finishings: E228  
 nero opaco con fondo / mat black with primer



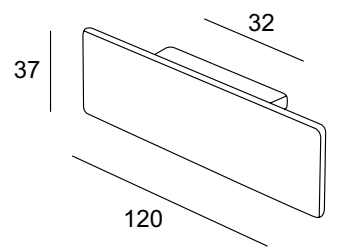
# MN 943 Z

finiture/finishings: E230  
 acciaio opaco metallizzato con fondo /  
 mat metallized steel with primer



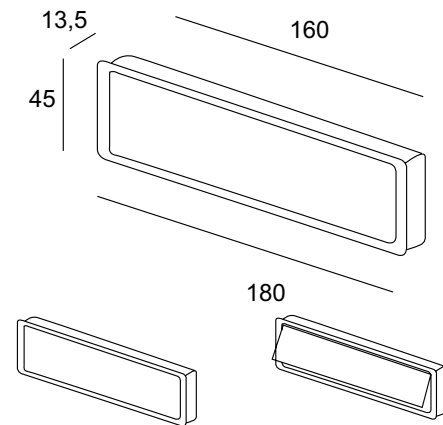
# MN 958 Z

finiture/finishings: E228  
 nero opaco con fondo / mat black with primer  
 G115  
 nichel lucido satinato / bright satin nickel



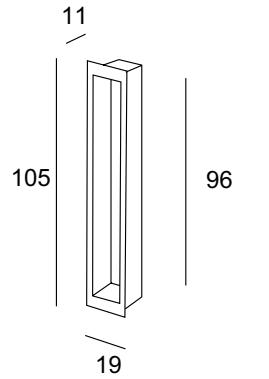
### MN 959 Z

finiture/finishings: C115  
nichel lucido satinato / bright satin nickel



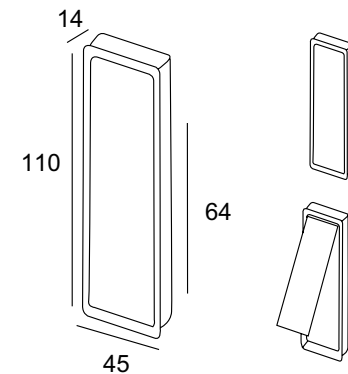
### MN 1019 Z

finiture/finishings: E215  
alluminio metallizzato opaco con fondo /  
mat metallized aluminium with primer



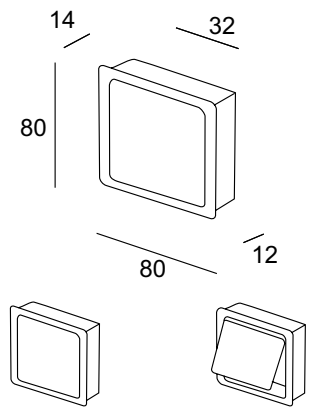
### MN 1010 Z

finiture/finishings: C115  
nichel lucido satinato / bright satin nickel



### MN 1025 Z

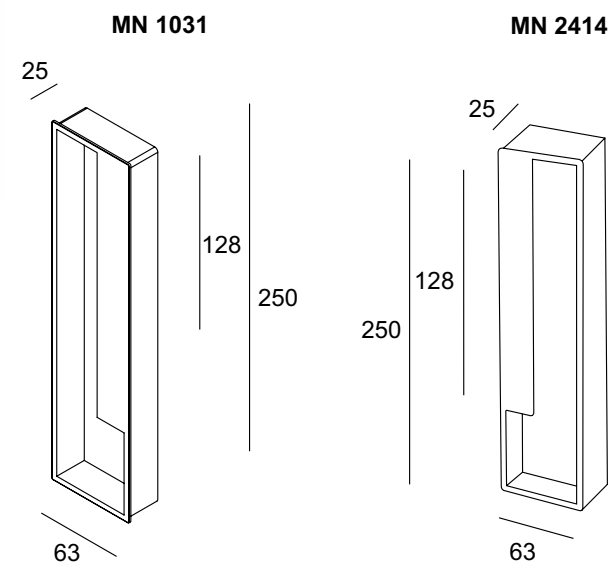
finiture/finishings: C115  
nichel lucido satinato / bright satin nickel





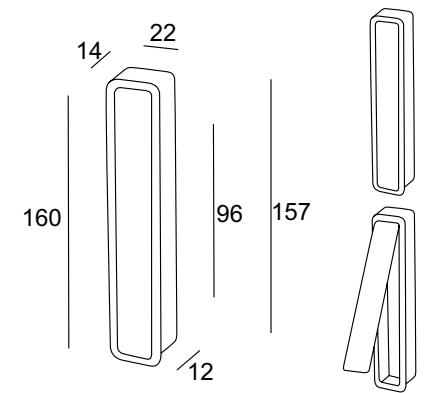
**MN 1031 Z (right)**  
**MN 2414 Z (left)**

finiture/finishings: E215E215  
 alluminio metallizzato opaco con fondo /  
 mat metallized aluminium with primer  
 E237E237  
 bronzo opaco metallizzato con fondo /  
 mat metallized bronze with primer



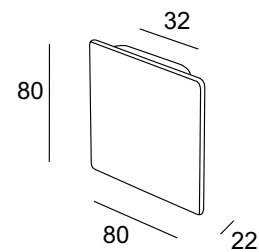
**MN 1032 Z**

finiture/finishings: E215  
 alluminio metallizzato opaco con fondo /  
 mat metallized aluminium with primer  
 E228  
 nero opaco con fondo / mat black with primer  
 G115  
 nichel lucido satinato / bright satin nickel



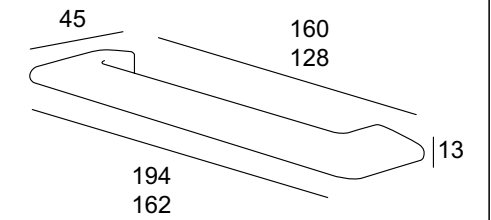
### MN 1051 Z

**finiture/finishings:** E228  
 nero opaco con fondo / mat black with primer  
 G115  
 nichel lucido satinato / bright satin nickel



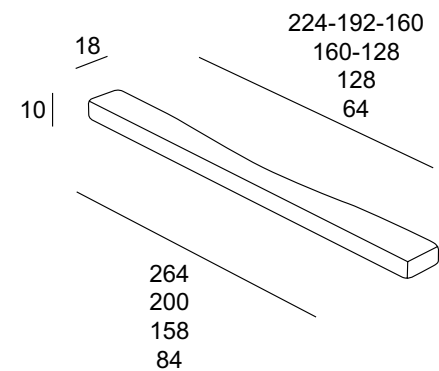
### MN 1087 Z

**finiture/finishings:** G104  
 cromato lucido / bright chrome plated



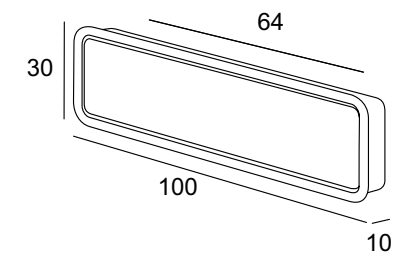
### MN 1060 Z

**finiture/finishings:** E101  
 alluminio metallizzato opaco / mat metallized aluminium  
 G104  
 cromato lucido / bright chrome plated  
 G124  
 nichel lucido satinato con vernice trasparente lucido /  
 bright satin nickel with bright transparent paint



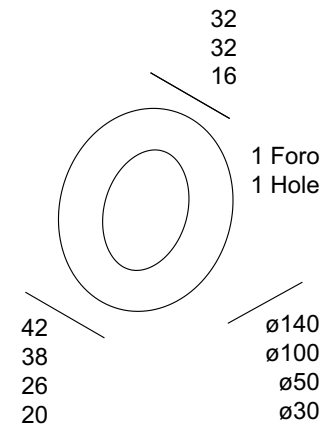
### MN 1106 Z

**finiture/finishings:** G115  
 nichel lucido satinato /  
 bright satin nickel



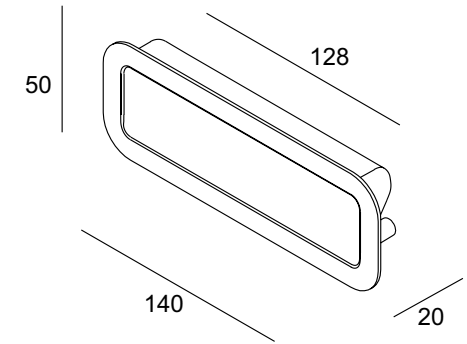
### MN 1109 Z

finiture/finishings: G104  
cromato lucido / bright chrome plated



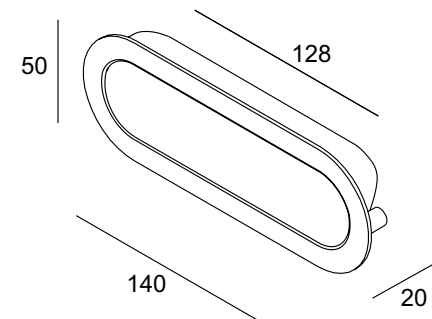
### MN 1115 Z

finiture/finishings: E228  
nero opaco con fondo / mat black with primer



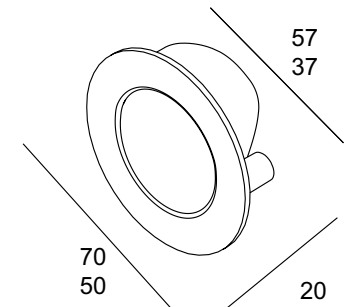
### MN 1114 Z

finiture/finishings: E215  
alluminio metallizzato opaco con fondo /  
mat metallized aluminium with primer



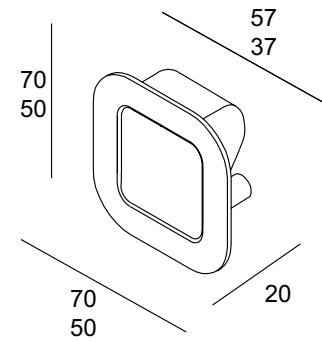
### MN 1116 Z

finiture/finishings: E215  
alluminio metallizzato opaco con fondo /  
mat metallized aluminium with primer



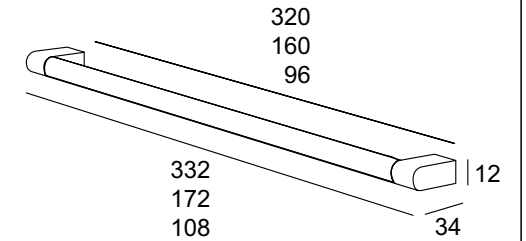
**MN 1117 Z**

finiture/finishings: E228  
nero opaco con fondo / mat black with primer



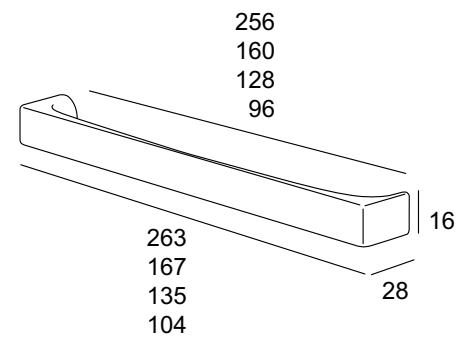
**MN 1150 Z**

finiture/finishings: G115  
nichel lucido satinato / bright satin nickel



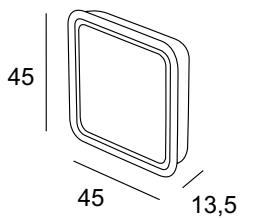
**MN 1145 Z**

finiture/finishings: G104  
cromato lucido / bright chrome plated  
G115  
nichel lucido satinato / bright satin nickel



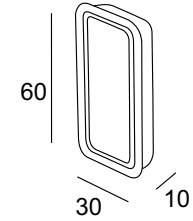
**MN 1160 Z**

finiture/finishings: G115  
nichel lucido satinato / bright satin nickel



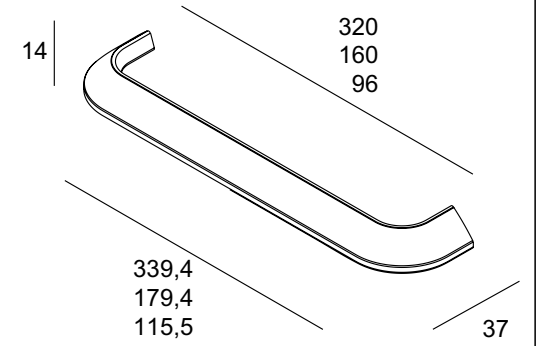
### MN 1161 Z

finiture/finishings: E101  
alluminio metallizzato opaco / mat metallized aluminium



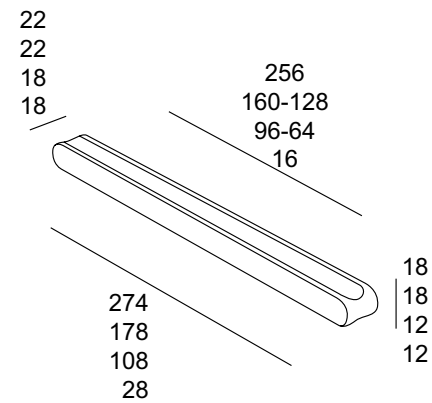
### MN 1174 Z

finiture/finishings: E130  
nero opaco / mat black  
G104  
cromato lucido / bright chrome plated



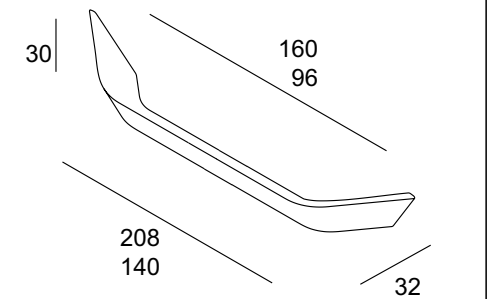
### MN 1172 Z

finiture/finishings: E130  
nero opaco / mat black  
GC011  
cromato lucido / bright chrome plated  
GN020  
nichel lucido satinato con vernice trasparente lucido /  
bright satin nickel with bright transparent paint



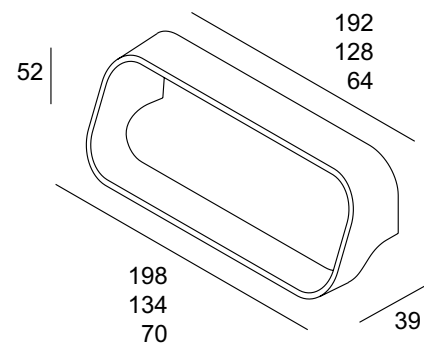
### MN 1175 Z

finiture/finishings: E130  
nero opaco / mat black



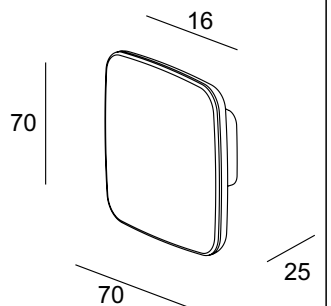
### MN 1177 Z

finiture/finishings: E228  
nero opaco con fondo / mat black with primer



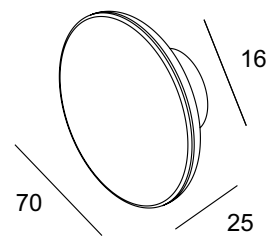
### MN 1180 Z

finiture/finishings: E228  
nero opaco con fondo / mat black with primer



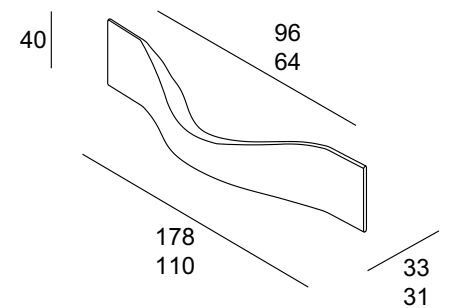
### MN 1179 Z

finiture/finishings: E228  
nero opaco con fondo / mat black with primer



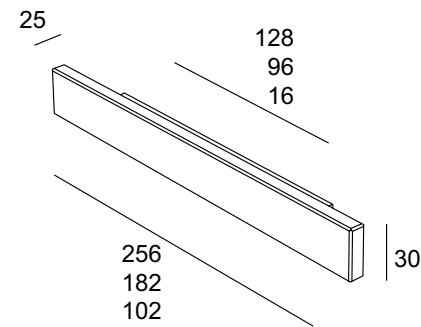
### MN 1191 Z

finiture/finishings: G104  
cromato lucido / bright chrome plated



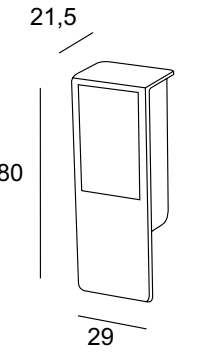
### MN 2024 V

finiture/finishings: Y0557  
inox satinato con vetro trasparente extrachiaro /  
satin stainless steel extralight transparent glass



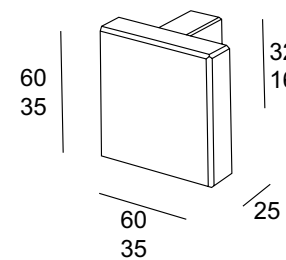
### MN 2032 Z

finiture/finishings: E228  
nero opaco con fondo / mat black with primer  
GC011  
cromato lucido / bright chrome plated



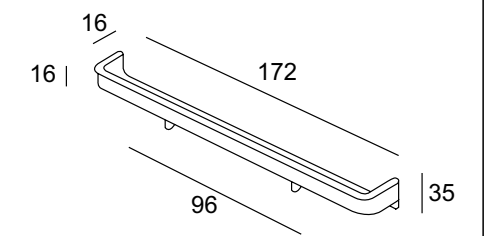
### MN 2027 V

finiture/finishings: Y0557  
inox satinato con vetro trasparente extrachiaro /  
satin stainless steel extralight transparent glass



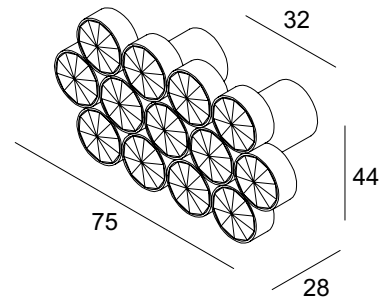
### MN 2068 Z

finiture/finishings: E215  
alluminio metallizzato opaco con fondo /  
mat metallized aluminium with primer  
GC011  
cromato lucido / bright chrome plated



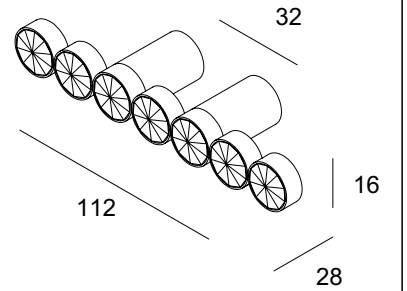
### MN 2078 Z

finiture/finishings: Y0672  
 cromato lucido con cristallo trasparente /  
 bright chrome plated with transparent crystal



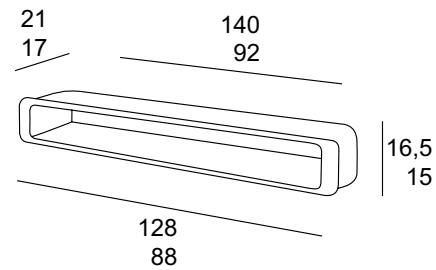
### MN 2091 Z

finiture/finishings: Y0672  
 cromato lucido con cristallo trasparente /  
 bright chrome plated with transparent crystal



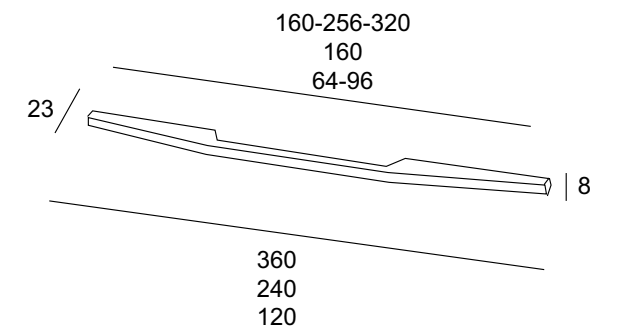
### MN 2079 Z

finiture/finishings: E215  
 alluminio metallizzato opaco con fondo /  
 mat metallized aluminium with primer



### MN 2165 Z

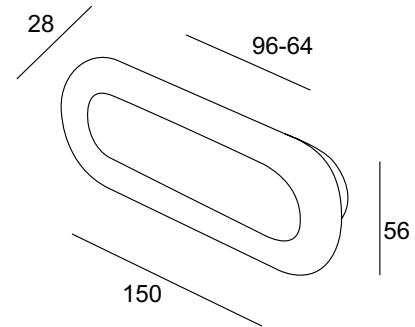
finiture/finishings: G104  
 cromato lucido / bright chrome plated





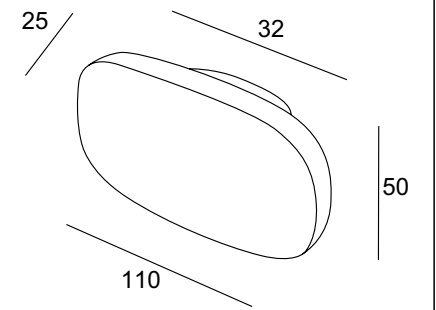
### MN 2182 AA

finiture/finishings: AA101  
 bianco lucido / gloss white  
 AA102  
 nero opaco / mat black  
 AA103  
 grigio opaco / mat grey  
 PORCELLANA / PORCELAIN



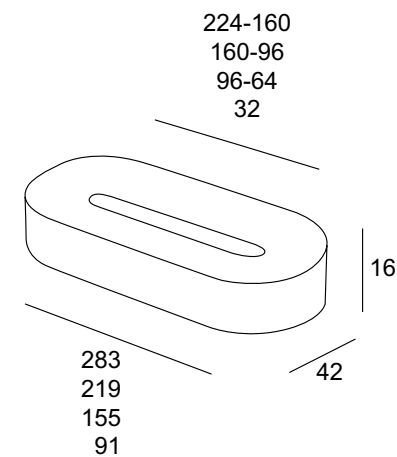
### MN 2184 AA

finiture/finishings: AA101  
 bianco lucido / gloss white  
 AA108  
 bianco lucido con decoro oro / gloss white with gold decoration  
 AA109  
 bianco lucido con decoro platino /  
 gloss white with platinum decoration  
 PORCELLANA / PORCELAIN



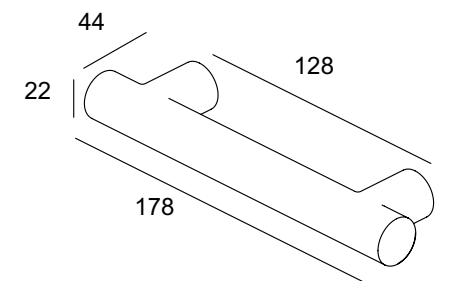
### MN 2183 AA

finiture/finishings: AA102  
 nero opaco / mat black  
 PORCELLANA / PORCELAIN



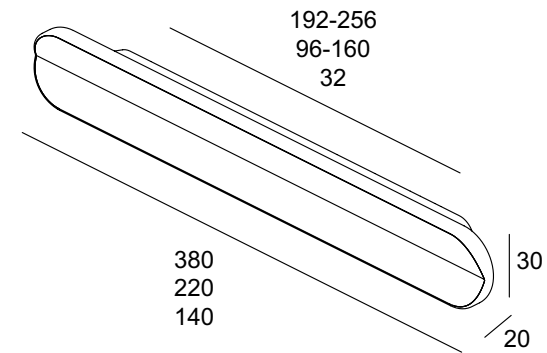
### MN 2186 AA

finiture/finishings: AA101  
 bianco lucido / gloss white  
 PORCELLANA / PORCELAIN



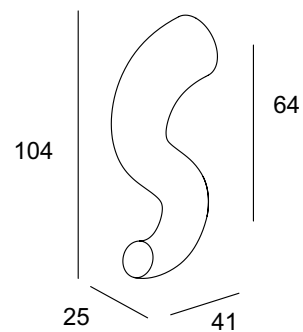
### MN 2202 AA

**finiture/finishings:** AA101  
 bianco lucido / gloss white  
 AA116  
 bianco lucido con decoro magenta /  
 gloss white with magenta decoration  
 AA117  
 bianco lucido con decoro blu /  
 gloss white with blue decoration  
 PORCELLANA / PORCELAIN



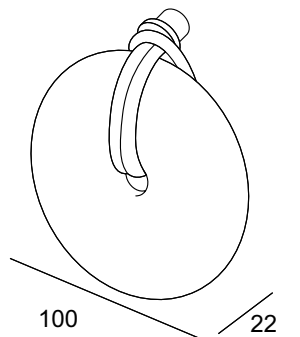
### MN 2204 AA

**finiture/finishings:** AA101  
 bianco lucido / gloss white  
 PORCELLANA / PORCELAIN



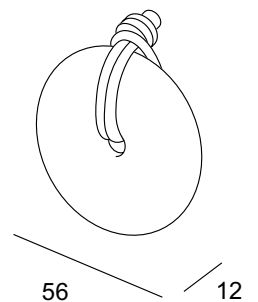
### MN 2205 AA

**finiture/finishings:** AA120  
 bianco lucido con cordoncino in cuoio naturale  
 e attacco cromato lucido /  
 gloss white with natural leather twist  
 and bright chrome plated connection  
 AA121  
 craquelè tortora lucido con cordoncino cuoio testa di moro  
 e attacco cromato lucido /  
 gloss beige craquelè with dark brown leather twist  
 and bright chrome plated connection  
 AA122  
 craquelè nero lucido con cordoncino cuoio nero  
 e attacco cromato lucido /  
 gloss black craquelè with black leather twist  
 and bright chrome plated connection  
 PORCELLANA / PORCELAIN



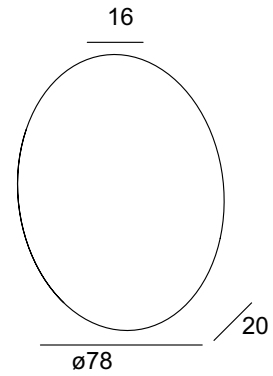
### MN 2206 AA

**finiture/finishings:** AA123  
 bianco lucido con cordoncino in cuoio naturale  
 e attacco cromato lucido /  
 gloss white with natural leather twist  
 and bright chrome plated connection  
 AA124  
 craquelè tortora lucido con cordoncino cuoio testa di moro  
 e attacco cromato lucido /  
 gloss beige craquelè with dark brown leather twist  
 and bright chrome plated connection  
 AA125  
 craquelè nero lucido con cordoncino cuoio nero  
 e attacco cromato lucido /  
 gloss black craquelè with black leather twist  
 and bright chrome plated connection  
 PORCELLANA / PORCELAIN



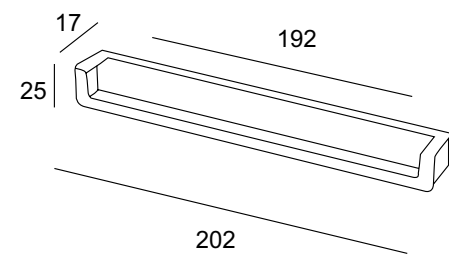
**MN 2208 AA**

finiture/finishings: AA101  
 bianco lucido / gloss white  
 PORCELLANA / PORCELAIN



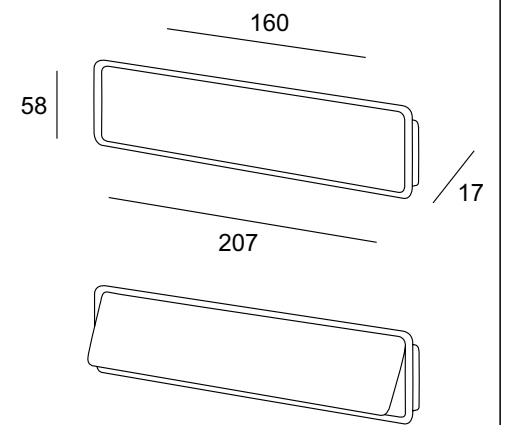
**MN 2229 Z**

finiture/finishings: E215  
 alluminio metallizzato opaco con fondo /  
 mat metallized aluminium with primer



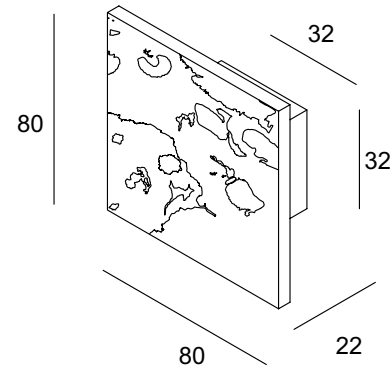
**MN 2242 Z**

finiture/finishings: G115  
 nichel lucido satinato / bright satin nickel



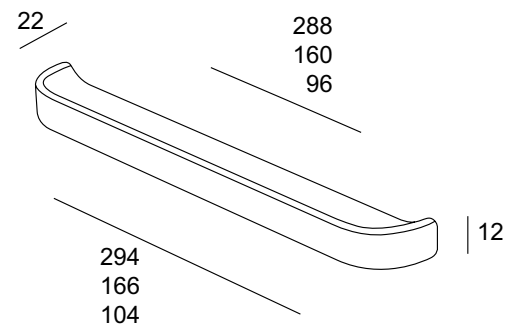
### MN 2273 Z

finiture/finishings: G102  
 bronzo sfumato opaco / mat shaded bronze



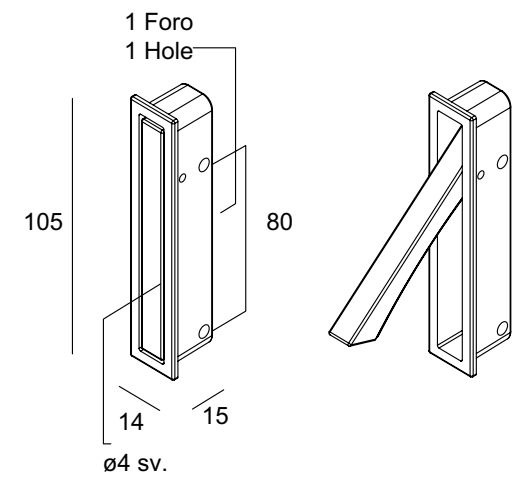
### MN 2282 Z

finiture/finishings: G115  
 nichel lucido satinato / bright satin nickel



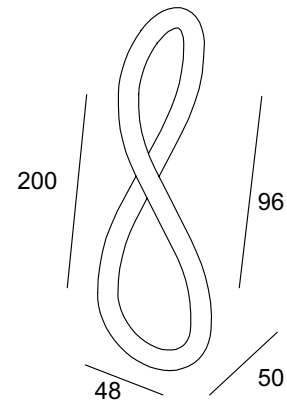
### MN 2313 Z

finiture/finishings: E2280102  
 nero opaco con fondo con guarnizione nera /  
 mat black with primer with black rubber gasket  
 E2290102  
 bianco opaco con fondo con guarnizione nera /  
 mat white with primer with black rubber gasket  
 G1150102  
 nichel lucido satinato con guarnizione nera /  
 bright satin nickel with black rubber gasket



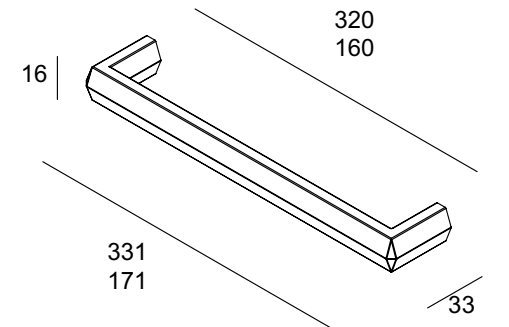
**MN 2445 Z**

finiture/finishings: G104  
cromato lucido / bright chrome plated



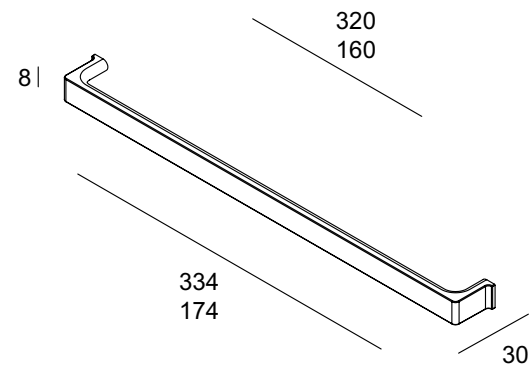
**MN 2486 Z**

finiture/finishings: E130  
nero opaco / mat black  
G104  
cromato lucido / bright chrome plated



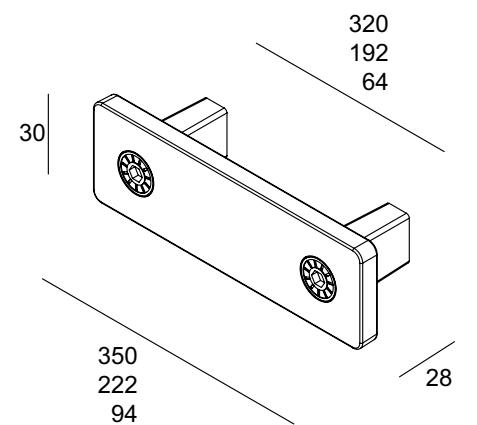
**MN 2461 Z**

finiture/finishings: E130  
nero opaco / mat black  
G115  
nichel lucido satinato / bright satin nickel



**MN 2492 Z**

finiture/finishings: E230  
acciaio opaco metallizzato con fondo /  
mat metallized steel with primer

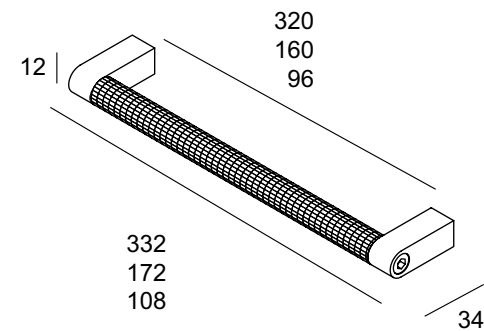


# MN 2504 Z

**finiture/finishings:** E228E228  
 nero opaco con fondo / mat black with primer  
 G115X102  
 nichel lucido satinato con tubo in acciaio inox godronato /  
 bright satin nickel with knurled stainless steel tube

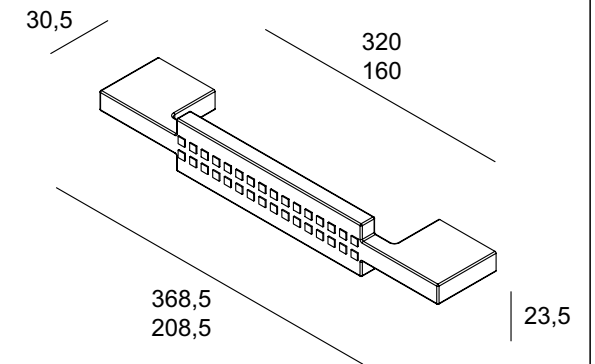


vite in acciaio inox - inox screw



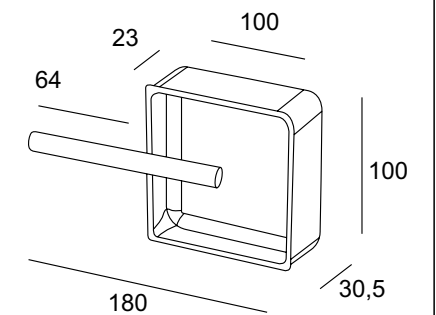
# MN 2511 Z

**finiture/finishings:** E228  
 nero opaco con fondo / mat black with primer



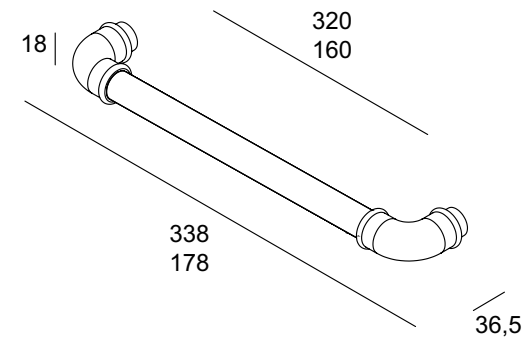
# MN 2524 Z

**finiture/finishings:** E466E237  
 oro metallizzato special con fondo  
 con vaschetta metallizzato bronzo opaco con fondo /  
 special metallized gold with primer  
 with mat metallized bronze with primer bowl



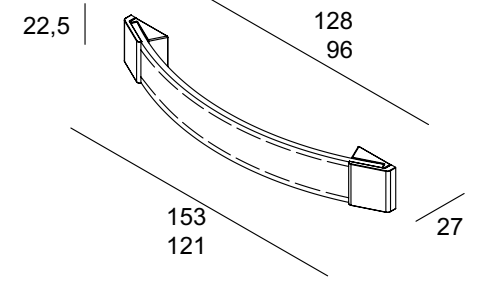
### MN 2529 Z

finiture/finishings: E228E228  
 nero opaco con fondo /  
 mat black with primer



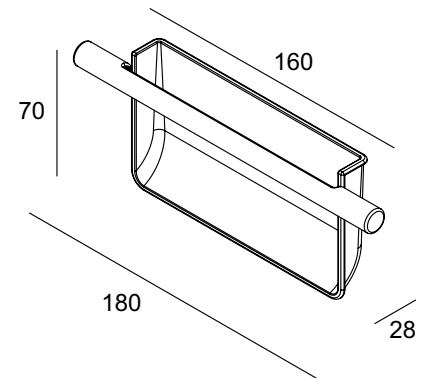
### MN 2564 Z

finiture/finishings: E237U111  
 bronzo opaco metallizzato con fondo con cuoio caffè /  
 mat metallized bronze with primer with coffee stronger leather



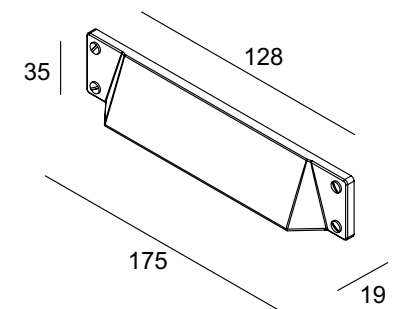
### MN 2555 Z

finiture/finishings: G104E237  
 cromato lucido con vaschetta metallizzato bronzo opaco  
 con fondo /  
 brigh chrome plated with mat metallized bronze  
 with primer bowl



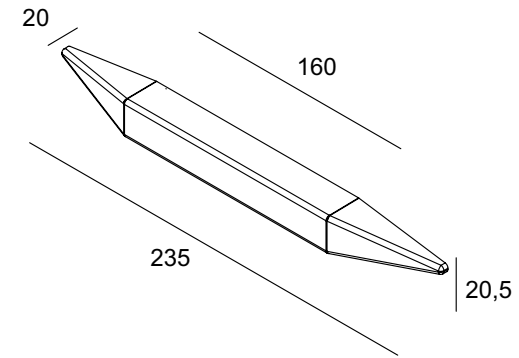
### MN 2573 Z

finiture/finishings: E228  
 nero opaco con fondo / mat black with primer



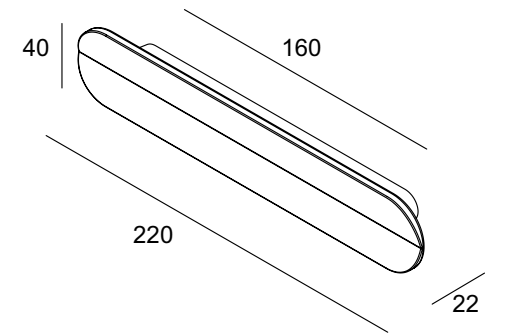
### MN 2576 Z

finiture/finishings: E228  
nero opaco con fondo / mat black with primer



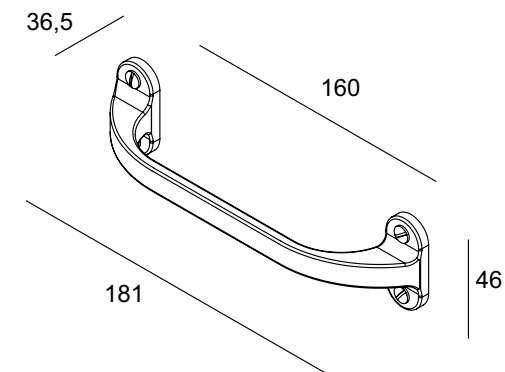
### MN 2582 Z

finiture/finishings: E228  
nero opaco con fondo / mat black with primer



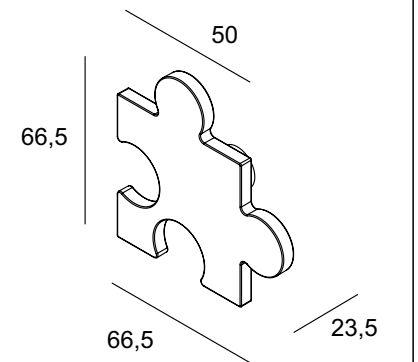
### MN 2579 Z

finiture/finishings: G102  
bronzo sfumato opaco / mat shaded bronze



### MN 2588 Z

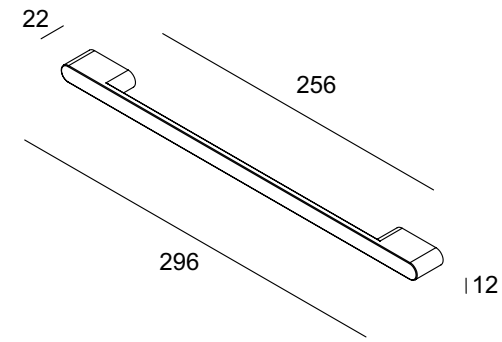
finiture/finishings: E228  
nero opaco con fondo / mat black with primer





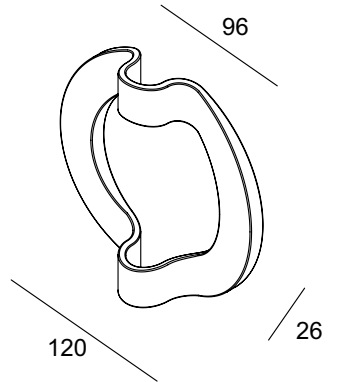
### MN 2590 Z

finiture/finishings: E228  
nero opaco con fondo / mat black with primer



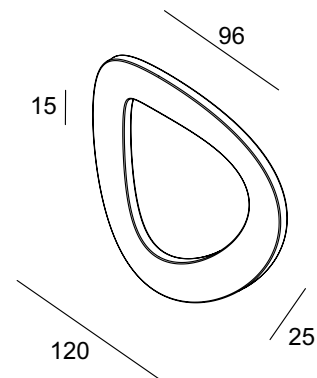
### MN 2605 Z

finiture/finishings: G104  
cromato lucido / bright chrome plated



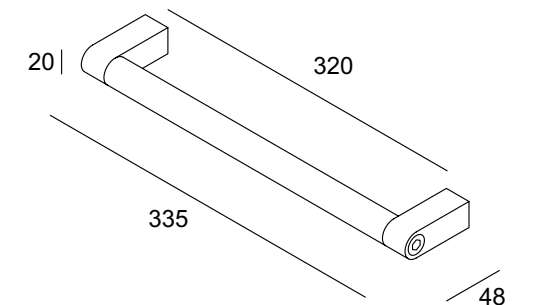
### MN 2604 Z

finiture/finishings: G104  
cromato lucido / bright chrome plated



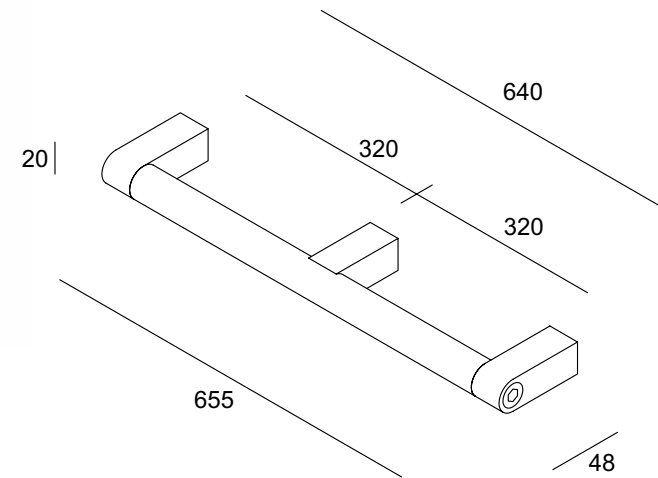
### MN 2623 Z

finiture/finishings: E202  
nero opaco / mat black



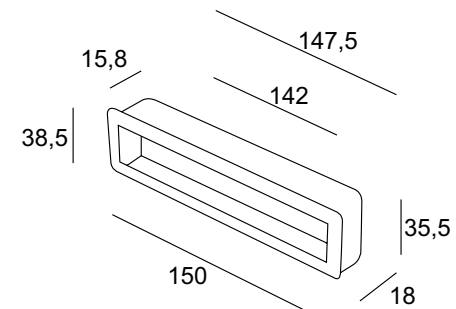
### MN 2624 Z

finiture/finishings: E202  
nero opaco / mat black



### MP 756 Z

finiture/finishings: E215  
alluminio metallizzato opaco con fondo /  
mat metallized aluminium with primer  
E228  
nero opaco con fondo / mat black with primer

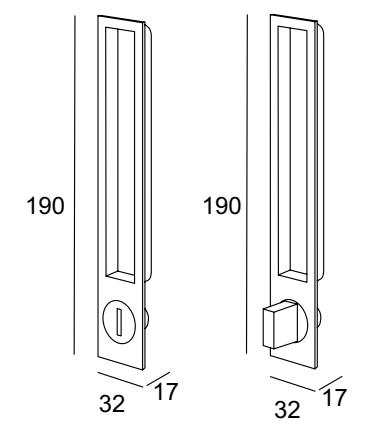


**MANIGLIE PER PORTE SCORREVOLI  
SLIDING DOORS HANDLES**



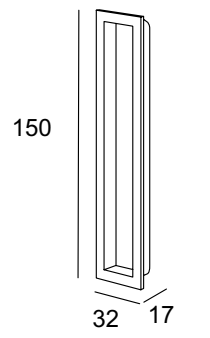
### MN 1096 Z

**finiture/finishings:** E215  
alluminio metallizzato opaco con fondo /  
mat metallized aluminium with primer  
E228  
nero opaco con fondo / mat black with primer



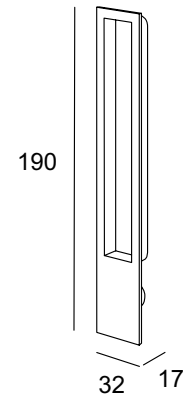
### MN 1097 Z

**finiture/finishings:** E215  
alluminio metallizzato opaco con fondo /  
mat metallized aluminium with primer  
E228  
nero opaco con fondo / mat black with primer



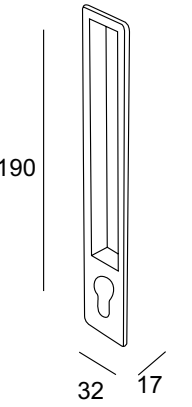
### MN 1098 Z

**finiture/finishings:** E215  
alluminio metallizzato opaco con fondo /  
mat metallized aluminium with primer  
E228  
nero opaco con fondo / mat black with primer



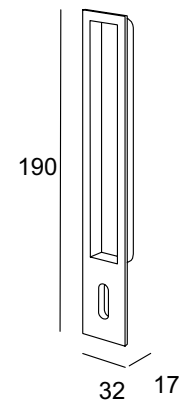
### MN 1100 Z

**finiture/finishings:** E215  
alluminio metallizzato opaco con fondo /  
mat metallized aluminium with primer  
E228  
nero opaco con fondo / mat black with primer



### MN 1099 Z

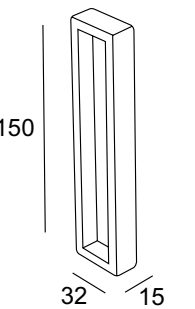
**finiture/finishings:** E215  
alluminio metallizzato opaco con fondo /  
mat metallized aluminium with primer  
E228  
nero opaco con fondo / mat black with primer



### MN 1158 Z

**finiture/finishings:** E215  
alluminio metallizzato opaco con fondo /  
mat metallized aluminium with primer  
E228  
nero opaco con fondo / mat black with primer

**kit per fissaggio vetro incluso**  
**included glass fixing kit**

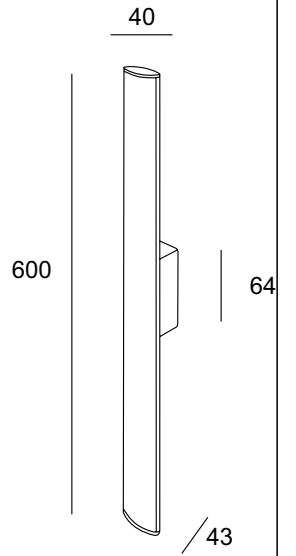


**MANIGLIONI PER PORTE  
LARGE**



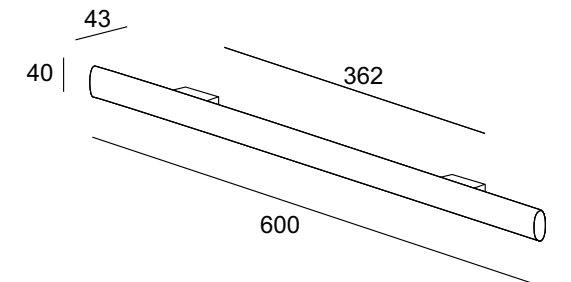
### MN 949 I

finiture/finishings: E228  
nero opaco con fondo / mat black with primer



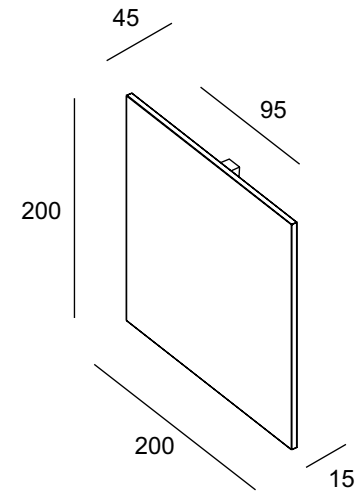
### MN 951 I

finiture/finishings: E228  
nero opaco con fondo / mat black with primer



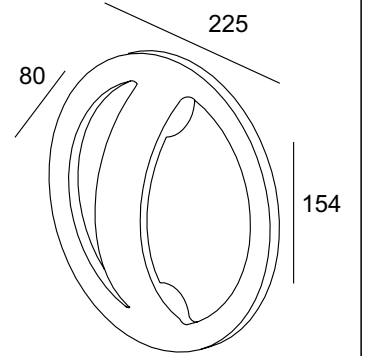
### MN 2033 Z BACK TO BACK

finiture/finishings: G104  
cromato lucido / bright chrome plated



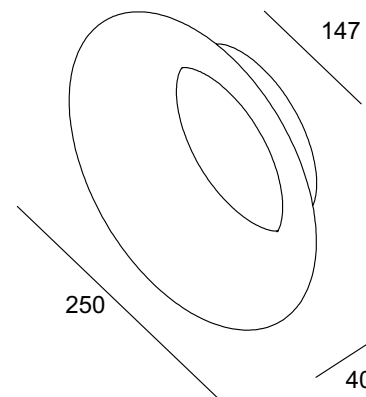
### MN 2047 Z BACK TO BACK

finiture/finishings: G104  
cromato lucido / bright chrome plated  
G172  
cromo mat / mat chrome



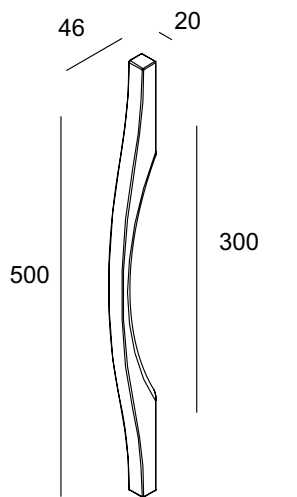
### MN 2035 Z BACK TO BACK

finiture/finishings: G104  
cromato lucido / bright chrome plated



### MN 2213 Z BACK TO BACK

finiture/finishings: G104  
cromato lucido / bright chrome plated



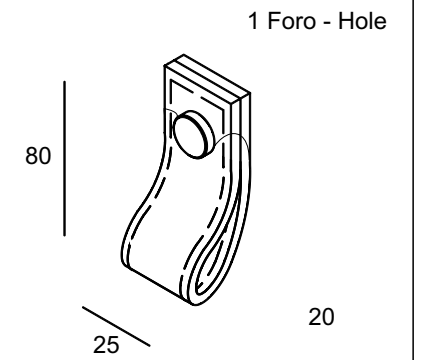


**CIONDOLI  
PENDANTS**



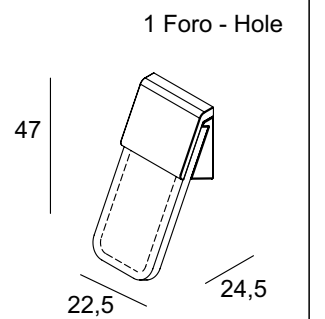
**CI 232 U**

**finiture/finishings:** E130U102  
 nero opaco con cuoio nero /  
 mat black with black stronger leather  
 C102U203  
 bronzo sfumato opaco con cuoio caramello /  
 mat shaded bronze with caramel stronger leather



**CI 237 Z**

**finiture/finishings:** E237U111  
 bronzo opaco metallizzato con fondo con cuoio caffè /  
 mat metallized bronze with primer with coffee stronger leather

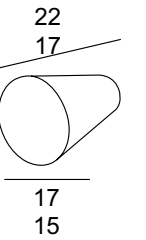


**POMOLI  
KNOBS**



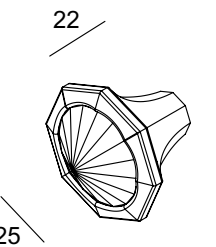
**PO 003 O**

**finiture/finishings:** E101  
alluminio metallizzato opaco / mat metallized aluminium  
E130  
nero opaco / mat black



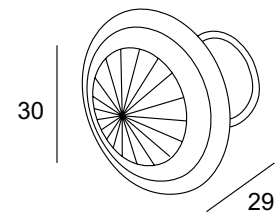
**PO 192 Z**

**finiture/finishings:** G140C101  
bagno oro 24 KT con cristallo trasparente /  
gold plated 24 KT with transparent crystal



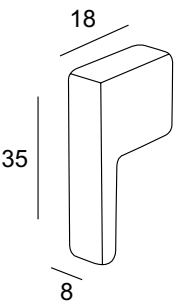
**PO 194 Z**

**finiture/finishings:** G139C101  
 argento vecchio opaco con cristallo trasparente /  
 mat old silver with transparent crystal  
 G140C101  
 bagno oro 24 KT con cristallo trasparente /  
 gold plated 24 KT with transparent crystal



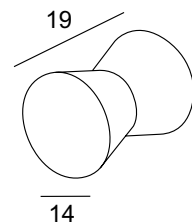
**PO 313 Z**

**finiture/finishings:** E101  
 alluminio metallizzato opaco / mat metallized aluminium  
 G104  
 cromato lucido / bright chrome plated  
 G124  
 nichel lucido satinato con vernice trasparente lucido /  
 bright satin nickel with bright transparent paint



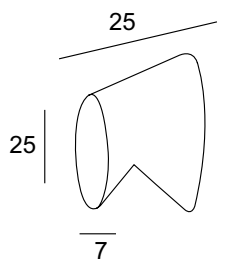
**PO 292 O**

**finiture/finishings:** E130  
 nero opaco / mat black



**PO 318 Z**

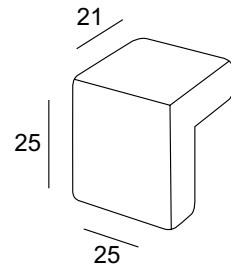
**finiture/finishings:** E101  
 alluminio metallizzato opaco / mat metallized aluminium  
 E130  
 nero opaco / mat black





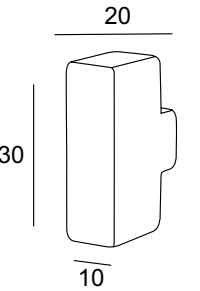
**PO 319 Z**

**finiture/finishings:** E101  
alluminio metallizzato opaco / mat metallized aluminium  
G104  
cromato lucido / bright chrome plated  
G124  
nicel lucido satinato con vernice trasparente lucido /  
bright satin nickel with bright transparent paint



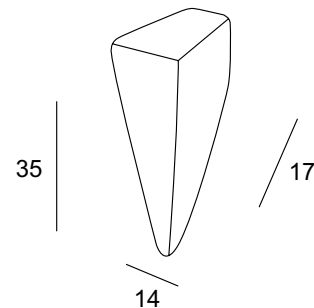
**PO 325 Z**

**finiture/finishings:** E101  
alluminio metallizzato opaco / mat metallized aluminium  
E130  
nero opaco / mat black



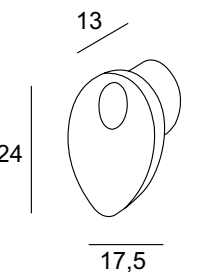
**PO 323 Z**

**finiture/finishings:** E101  
alluminio metallizzato opaco / mat metallized aluminium  
E130  
nero opaco / mat black



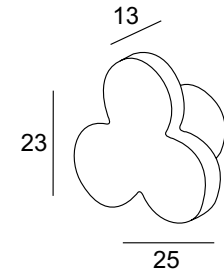
**PO 331 Z**

**finiture/finishings:** E101  
alluminio metallizzato opaco / mat metallized aluminium  
E130  
nero opaco / mat black



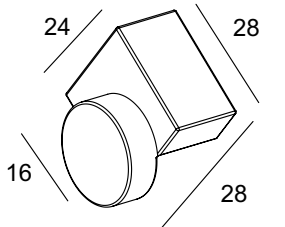
**PO 333 Z**

finiture/finishings: E101  
alluminio metallizzato opaco / mat metallized aluminium  
E130  
nero opaco / mat black



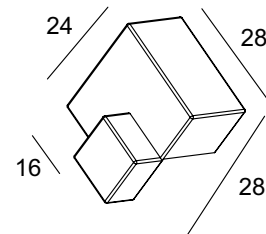
**PO 354 Z**

finiture/finishings: E101  
alluminio metallizzato opaco / mat metallized aluminium  
E130  
nero opaco / mat black



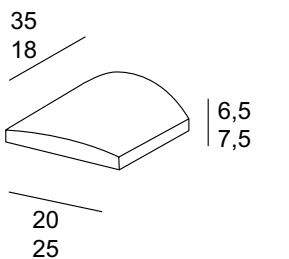
**PO 353 Z**

finiture/finishings: E101  
alluminio metallizzato opaco / mat metallized aluminium  
E130  
nero opaco / mat black



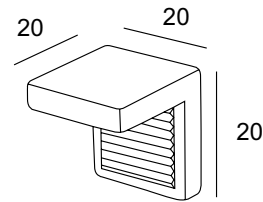
**PO 364 Z**

finiture/finishings: E101  
alluminio metallizzato opaco / mat metallized aluminium



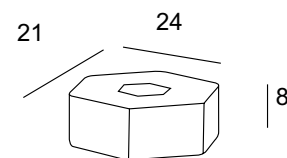
**PO 366 Z**

finiture/finishings: E228  
 nero opaco con fondo / mat black with primer



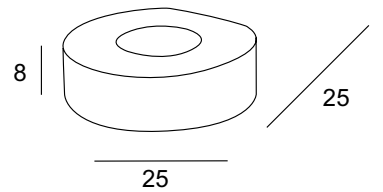
**PO 368 Z**

finiture/finishings: E101  
 alluminio metallizzato opaco / mat metallized aluminium  
 E130  
 nero opaco / mat black



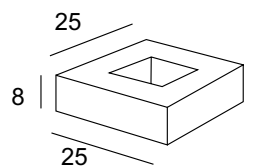
**PO 369 Z**

finiture/finishings: E101  
 alluminio metallizzato opaco / mat metallized aluminium  
 E130  
 nero opaco / mat black



**PO 370 Z**

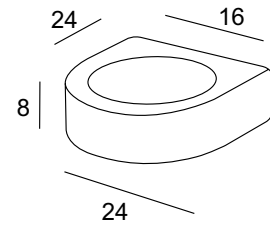
finiture/finishings: E101  
 alluminio metallizzato opaco / mat metallized aluminium  
 E130  
 nero opaco / mat black





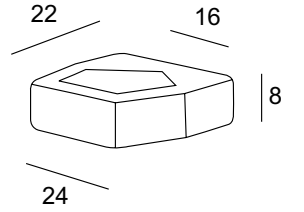
### PO 388 Z

finiture/finishings: E230  
acciaio opaco metallizzato con fondo /  
mat metallized steel with primer



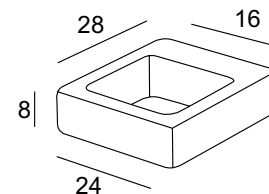
### PO 390 Z

finiture/finishings: E230  
acciaio opaco metallizzato con fondo /  
mat metallized steel with primer



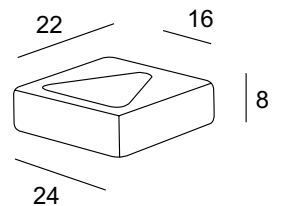
### PO 389 Z

finiture/finishings: E230  
acciaio opaco metallizzato con fondo /  
mat metallized steel with primer



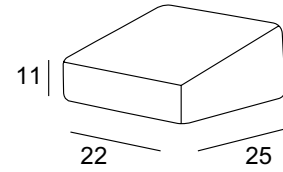
### PO 391 Z

finiture/finishings: E230  
acciaio opaco metallizzato con fondo /  
mat metallized steel with primer



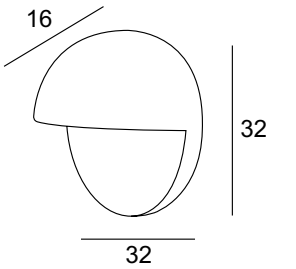
**PO 403 Z**

finiture/finishings: E230  
acciaio opaco metallizzato con fondo /  
mat metallized steel with primer



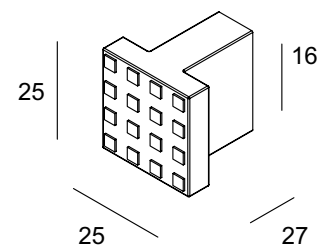
**PO 414 Z**

finiture/finishings: E230  
acciaio opaco metallizzato con fondo /  
mat metallized steel with primer



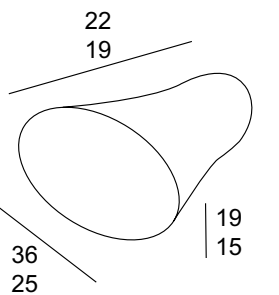
**PO 413 Z**

finiture/finishings: E228  
nero opaco con fondo / mat black with primer



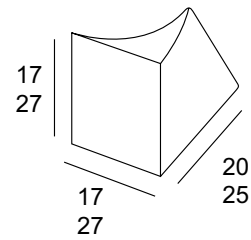
**PO 415 Z**

finiture/finishings: E230  
acciaio opaco metallizzato con fondo /  
mat metallized steel with primer



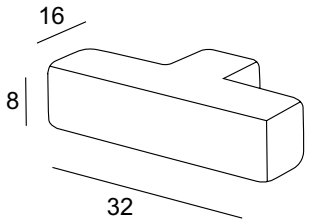
### PO 416 Z

finiture/finishings: E230  
acciaio opaco metallizzato con fondo /  
mat metallized steel with primer



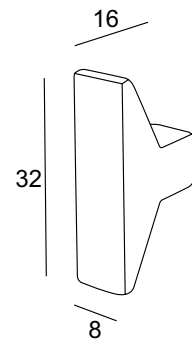
### PO 425 Z

finiture/finishings: E230  
acciaio opaco metallizzato con fondo /  
mat metallized steel with primer



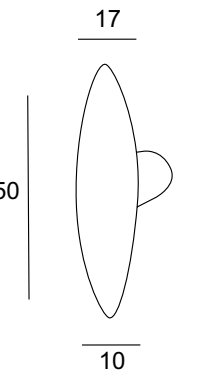
### PO 424 Z

finiture/finishings: E230  
acciaio opaco metallizzato con fondo /  
mat metallized steel with primer



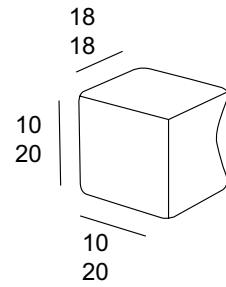
### PO 430 Z

finiture/finishings: E216  
metallizzato argento mat con fondo /  
mat metallized silver with primer



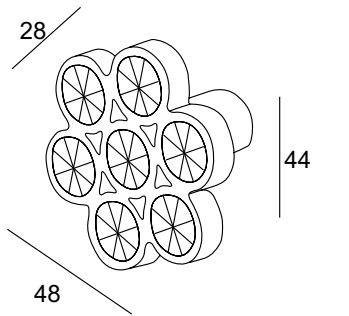
**PO 459 Z**

**finiture/finishings:** E101  
alluminio metallizzato opaco / mat metallized aluminium  
G104  
cromato lucido / brigh chrome plated  
G124  
nichel lucido satinato con vernice trasparente lucido /  
bright satin nickel with bright transparent paint



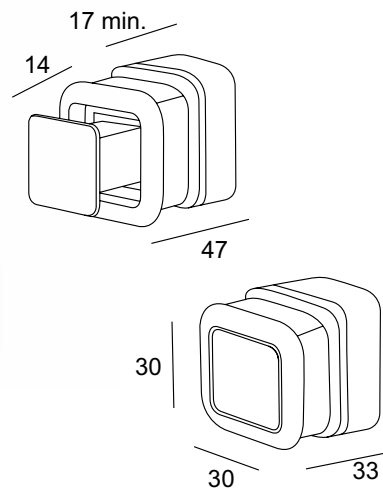
**PO 2008 Z**

**finiture/finishings:** Y0672  
cromato lucido con cristallo trasparente /  
bright chrome with transparent crystal



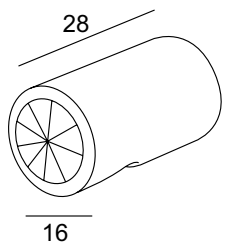
**PO 2006 Z**

**finiture/finishings:** E215  
alluminio metallizzato opaco con fondo /  
mat metallized aluminium with primer  
E228  
nero opaco con fondo / mat black with primer



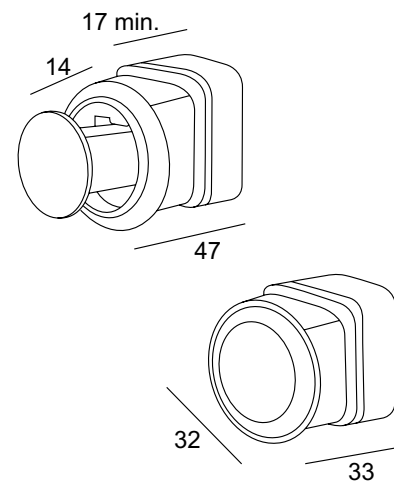
**PO 2010 O**

**finiture/finishings:** Y0672  
cromato lucido con cristallo trasparente /  
bright chrome with transparent crystal



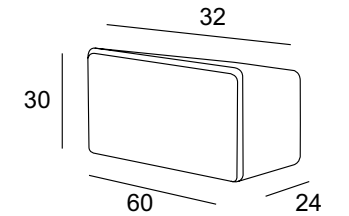
## PO 2015 Z

**finiture/finishings:** E215  
alluminio metallizzato opaco con fondo /  
mat metallized aluminium with primer  
E228  
nero opaco con fondo / mat black with primer



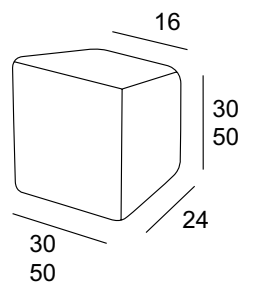
## PO 2029 AA

**finiture/finishings:** AA101  
bianco lucido / gloss white  
AA104  
bianco lucido con decoro nero /  
gloss white with black decoration  
AA105  
bianco lucido con decoro grigio /  
gloss white with grey decoration  
AA106  
bianco lucido con decoro celeste /  
gloss white with light blue decoration  
PORCELLANA / PORCELAIN



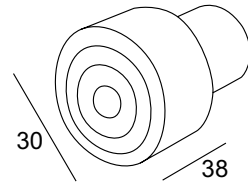
## PO 2030 AA

**finiture/finishings:** AA101  
bianco lucido / gloss white  
AA104  
bianco lucido con decoro nero /  
gloss white with black decoration  
AA105  
bianco lucido con decoro grigio /  
gloss white with grey decoration  
AA106  
bianco lucido con decoro celeste /  
gloss white with light blue decoration  
PORCELLANA / PORCELAIN



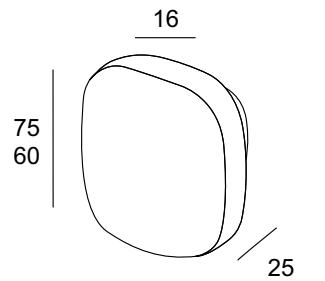
**PO 2031 AA**

**finiture/finishings:** AA101  
 bianco lucido / gloss white  
 AA104  
 bianco lucido con decoro nero /  
 gloss white with black decoration  
 AA105  
 bianco lucido con decoro grigio /  
 gloss white with grey decoration  
 AA107  
 bianco lucido con decoro celeste /  
 gloss white with light blue decoration  
 PORCELLANA / PORCELAIN



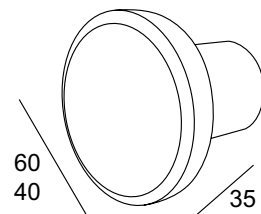
**PO 2034 AA**

**finiture/finishings:** AA101  
 bianco lucido / gloss white  
 AA108  
 bianco lucido con decoro oro /  
 gloss white with gold decoration  
 AA109  
 bianco lucido con decoro platino /  
 gloss white with platin decoration  
 PORCELLANA / PORCELAIN



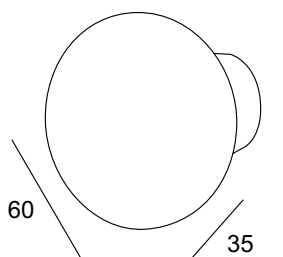
**PO 2032 AA**

**finiture/finishings:** AA101  
 bianco lucido / gloss white  
 AA104  
 bianco lucido con decoro nero /  
 gloss white with black decoration  
 AA105  
 bianco lucido con decoro grigio /  
 gloss white with grey decoration  
 AA107  
 bianco lucido con decoro celeste /  
 gloss white with light blue decoration  
 PORCELLANA / PORCELAIN



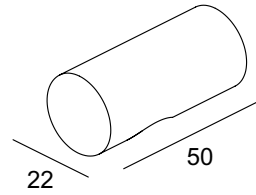
**PO 2036 AA**

**finiture/finishings:** AA101  
 bianco lucido / gloss white  
 PORCELLANA / PORCELAIN



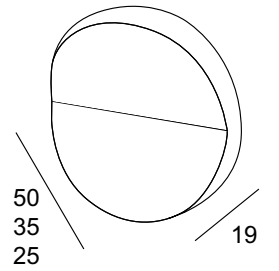
**PO 2038 AA**

finiture/finishings: AA101  
 bianco lucido / gloss white  
 PORCELLANA / PORCELAIN



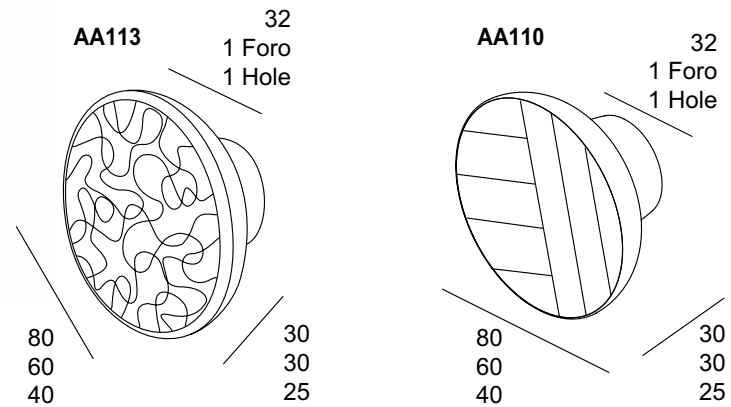
**PO 2043 AA**

finiture/finishings: AA101  
 bianco lucido / gloss white  
 AA116  
 bianco lucido con decoro magenta /  
 gloss white with magenta decoration  
 AA117  
 bianco lucido con decoro blu /  
 gloss white with blue decoration  
 PORCELLANA / PORCELAIN



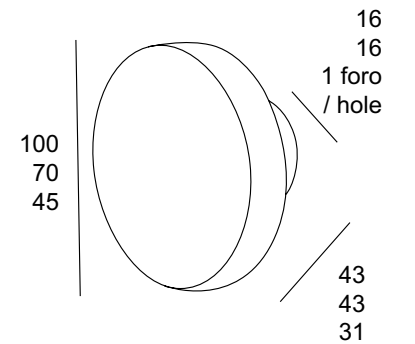
**PO 2042 AA**

finiture/finishings: AA110  
 nero lucido con decoro geometrico bianco /  
 gloss black with white geometric decoration  
 AA113  
 nero lucido con decoro scribble bianco /  
 gloss black with white scribble decoration  
 PORCELLANA / PORCELAIN



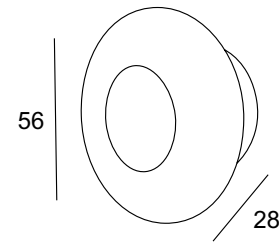
**PO 2044 AA**

finiture/finishings: AA101  
 bianco lucido / gloss white  
 PORCELLANA / PORCELAIN



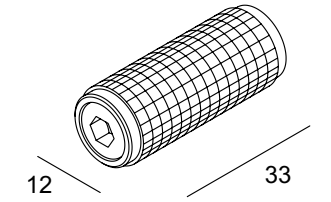
**PO 2046 AA**

**finiture/finishings:** AA101  
 bianco lucido / gloss white  
 AA102  
 nero opaco / mat black  
 AA103  
 grigio opaco / mat grey  
 PORCELLANA / PORCELAIN



**PO 2087 X**

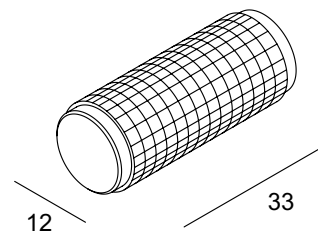
**finiture/finishings:** E228  
 nero opaco con fondo / mat black with primer  
 X102  
 acciaio inox godronato / knurled stainless steel



vite in acciaio inox - inox screw

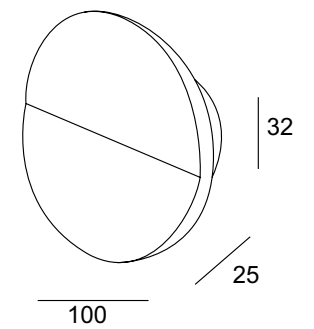
**PO 2086 X**

**finiture/finishings:** E228  
 nero opaco con fondo / mat black with primer  
 X102  
 acciaio inox godronato / knurled stainless steel



**PO 2095 Z**

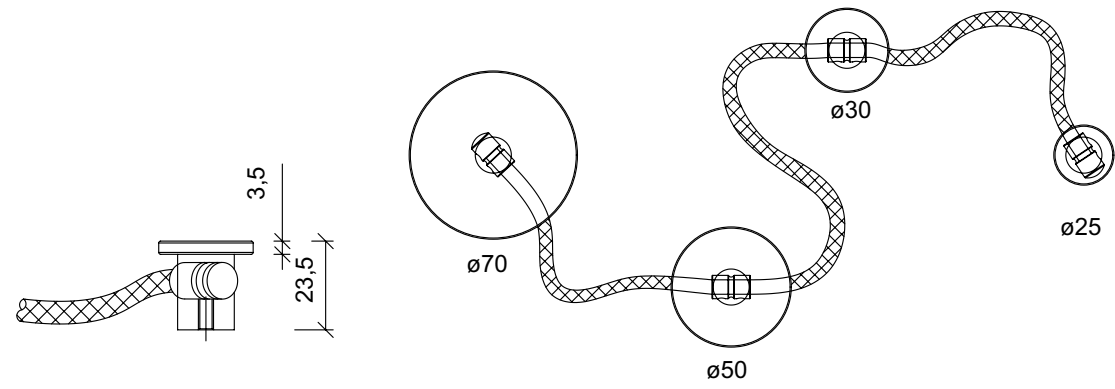
**finiture/finishings:** E228  
 nero opaco con fondo / mat black with primer





# PO 2100 KT

finiture/finishings: E228E228AR  
nero opaco con fondo con corda arancio /  
mat black with primer with orange rope  
E228E228NT  
nero opaco con fondo con corda naturale /  
mat black with primer with natural rope



# PASSACAVI CABLE OUTLETS

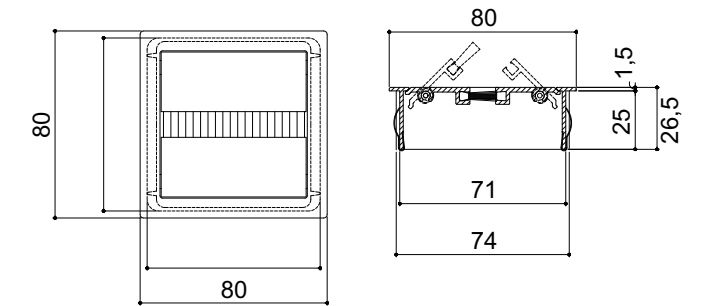


HUMANS ARE LIKE INSIDE-  
OUT CANDLES. IF YOUR  
CLOTHES CATCH FIRE, THE  
HEAT MELTS YOUR BODY  
FAT, THEN DRAWS IT TO  
SURFACE, FUELLING THE  
FLAMES. UNSTOPPED,  
YOU'LL BURN OUT IN  
AROUND SEVEN HOURS.

LOS HUMANOS SON COMO  
VELAS VUELTAS DEL  
REVES. SI SE TE INCENDIA  
LA ROPA, EL CALOR  
FUNDIRÁ PRIMERO TU  
GRASA CORPORAL Y LUEGO  
LA LLEVARÁ A LA  
SUPERFICIE PARA AVIVAR  
LAS LLAMAS. DE NO  
IMPEDIRLO, TARDARÁS  
UNAS SIETE HORAS EN  
QUEMARTÉ DEL TODO.

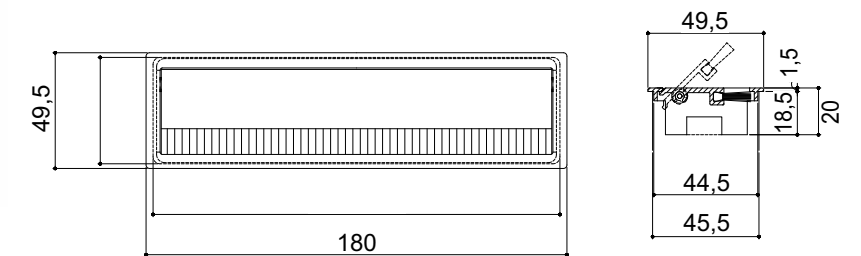
### PC 2000 Z

**finiture/finishings:** E215  
 alluminio metallizzato opaco con fondo /  
 mat metallized aluminium with primer  
 EB041  
 bianco opaco con fondo / mat white with primer  
 EN028  
 nero opaco con fondo / mat black with primer



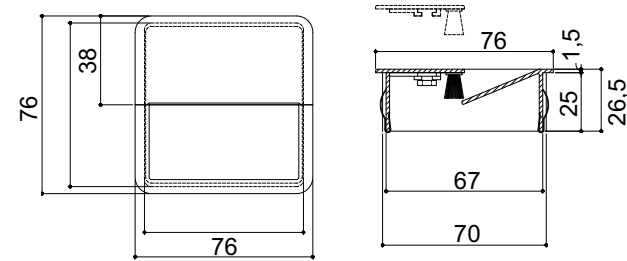
### PC 2000 Z

**finiture/finishings:** E215  
 alluminio metallizzato opaco con fondo /  
 mat metallized aluminium with primer  
 EB041  
 bianco opaco con fondo / mat white with primer  
 EN028  
 nero opaco con fondo / mat black with primer



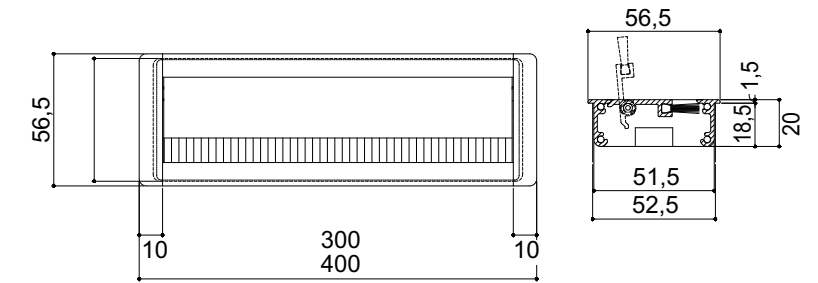
### PC 2001 Z

finiture/finishings: E215  
alluminio metallizzato opaco con fondo /  
mat metallized aluminium with primer  
E228  
nero opaco con fondo / mat black with primer



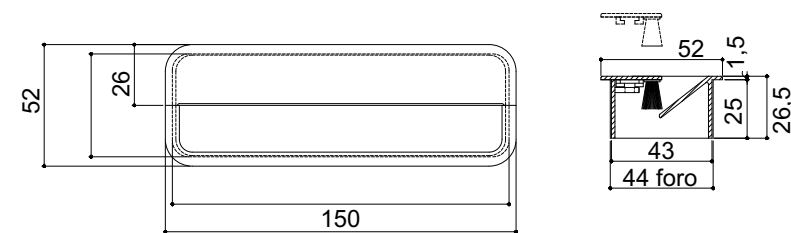
### PC 2003 I

finiture/finishings: E215  
alluminio metallizzato opaco con fondo /  
mat metallized aluminium with primer  
E228  
nero opaco con fondo / mat black with primer



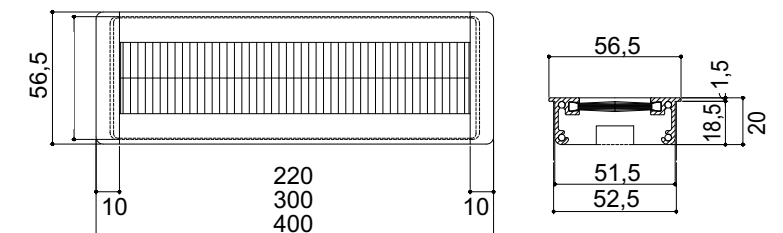
### PC 2001 Z

finiture/finishings: E215  
alluminio metallizzato opaco con fondo /  
mat metallized aluminium with primer  
E228  
nero opaco con fondo / mat black with primer



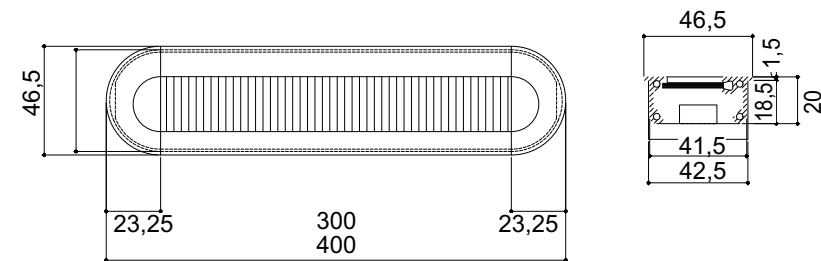
### PC 2004 I

finiture/finishings: E215  
alluminio metallizzato opaco con fondo /  
mat metallized aluminium with primer  
E228  
nero opaco con fondo / mat black with primer



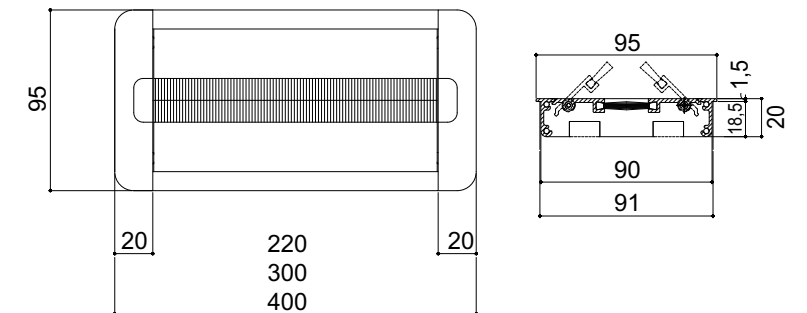
### PC 2005 I

finiture/finishings: E215  
 alluminio metallizzato opaco con fondo /  
 mat metallized aluminium with primer  
 E228  
 nero opaco con fondo / mat black with primer



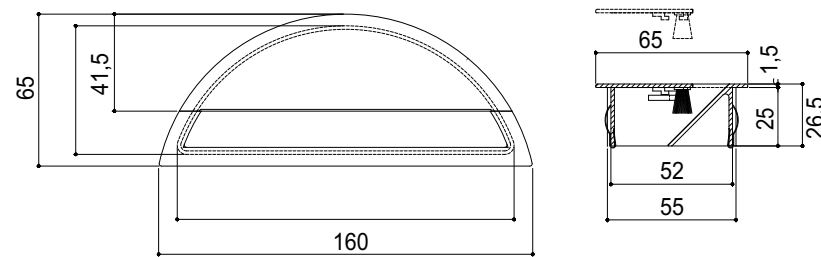
### PC 2007 I

finiture/finishings: E215  
 alluminio metallizzato opaco con fondo /  
 mat metallized aluminium with primer  
 E228  
 nero opaco con fondo / mat black with primer



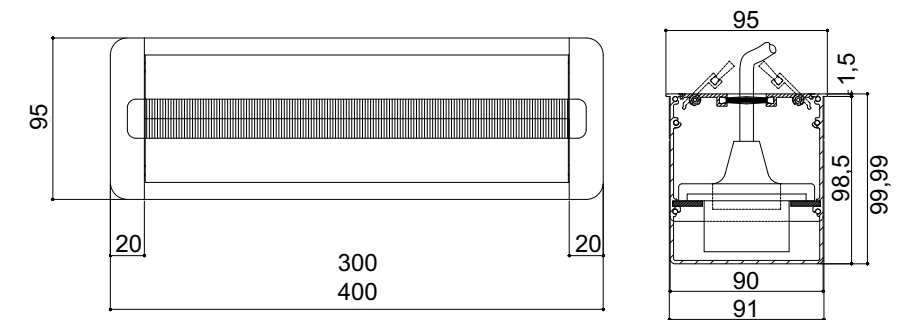
### PC 2006 Z

finiture/finishings: E228  
 nero opaco con fondo / mat black with primer



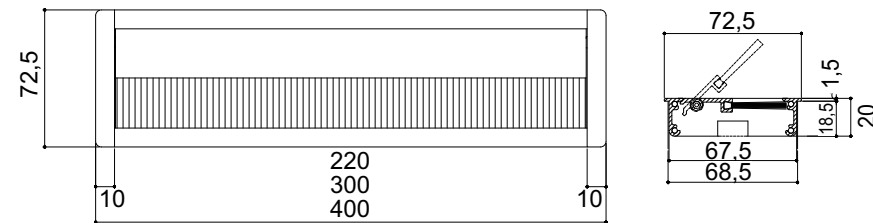
### PC 2008 I

finiture/finishings: E215Q102  
 metallizzato alluminio opaco con fondo  
 con slitta in plexiglass grigio /  
 mat metallized aluminium  
 with primer with grey plexiglass slide  
 E228Q102  
 nero opaco con fondo con slitta in plexiglass grigio /  
 mat black with primer with grey plexiglass slide



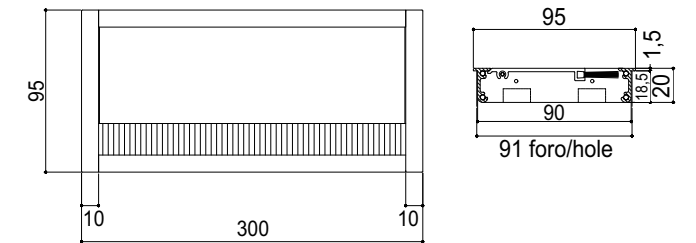
### PC 2009 I

finiture/finishings: E215  
alluminio metallizzato opaco con fondo /  
mat metallized aluminium with primer



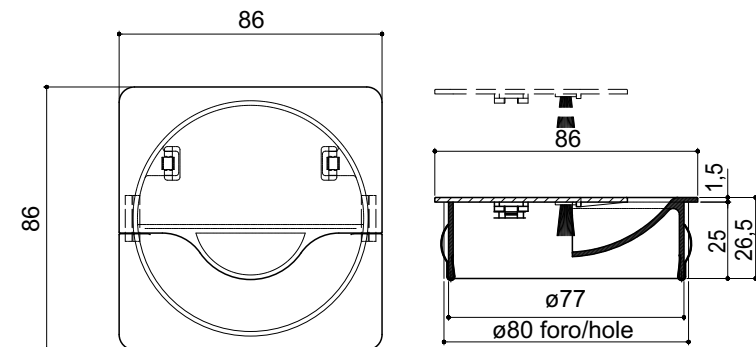
### PC 2040 I

finiture/finishings: E215  
alluminio metallizzato opaco con fondo /  
mat metallized aluminium with primer  
E228  
nero opaco con fondo /  
mat black with primer



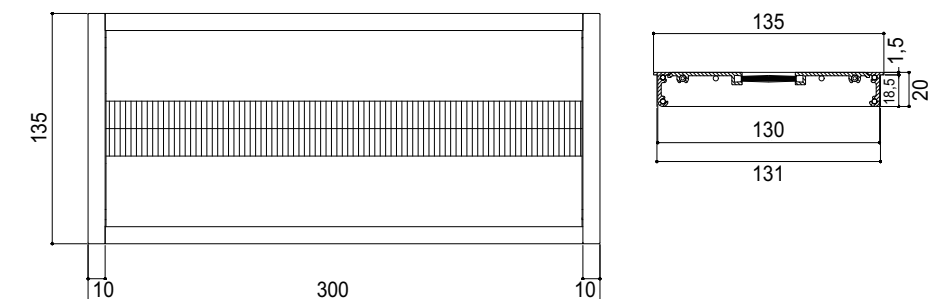
### PC 2026 Z

finiture/finishings: E215  
alluminio metallizzato opaco con fondo /  
mat metallized aluminium with primer  
E228  
nero opaco con fondo / mat black with primer  
E229  
bianco opaco con fondo / mat white with primer  
G104  
cromato lucido / bright chrome plated



### PC 2062 I

finiture/finishings: E215  
alluminio metallizzato opaco con fondo /  
mat metallized aluminium with primer  
E228  
nero opaco con fondo / mat black with primer

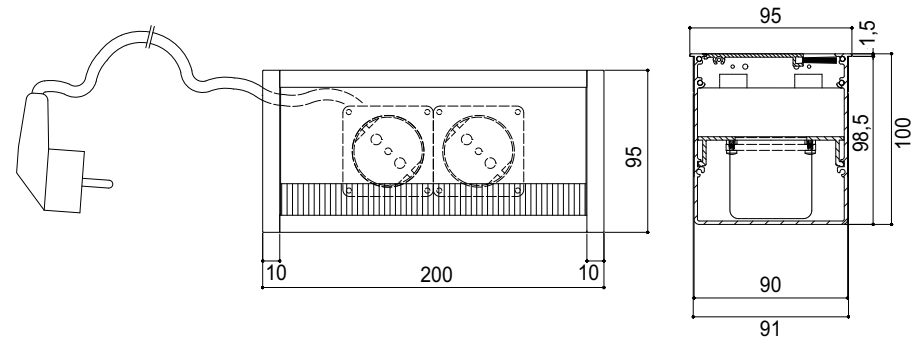




### PC 3001 I



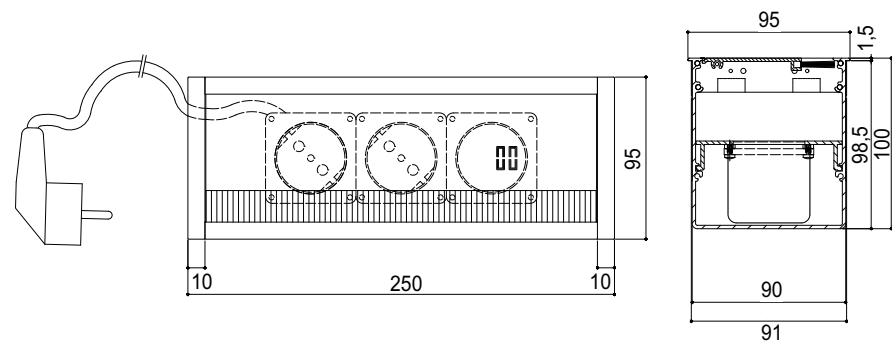
**finiture/finishings:** E215  
 alluminio metallizzato opaco con fondo con n.2 prese schuko a 45° incluso cavo finale con presa schuko /  
 mat metallized aluminium with primer with n.2 shuko at 45° sockets including final cable with schuko plug  
 E228  
 nero opaco con fondo con n.2 prese schuko a 45° incluso cavo finale con presa schuko /  
 mat black with primer with n.2 shuko at 45° sockets including final cable with schuko plug  
 E229  
 bianco opaco con fondo con n.2 prese schuko a 45° incluso cavo finale con presa schuko /  
 mat white with primer with n.2 shuko at 45° sockets including final cable with schuko plug



### PC 3002 I



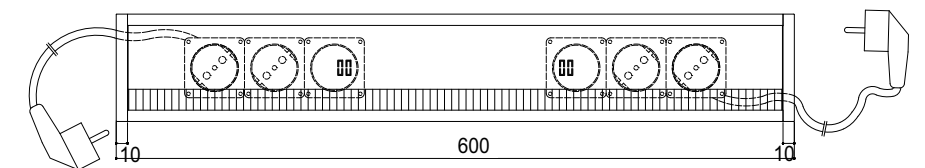
**finiture/finishings:** E215  
 alluminio metallizzato opaco con fondo con n.2 prese schuko a 45° incluso cavo finale con presa schuko /  
 mat metallized aluminium with primer with n.2 shuko at 45° sockets including final cable with schuko plug  
 E228  
 nero opaco con fondo con n.2 prese schuko a 45° incluso cavo finale con presa schuko /  
 mat black with primer with n.2 shuko at 45° sockets including final cable with schuko plug  
 E229  
 bianco opaco con fondo con n.2 prese schuko a 45° incluso cavo finale con presa schuko /  
 mat white with primer with n.2 shuko at 45° sockets including final cable with schuko plug



### PC 3003 I

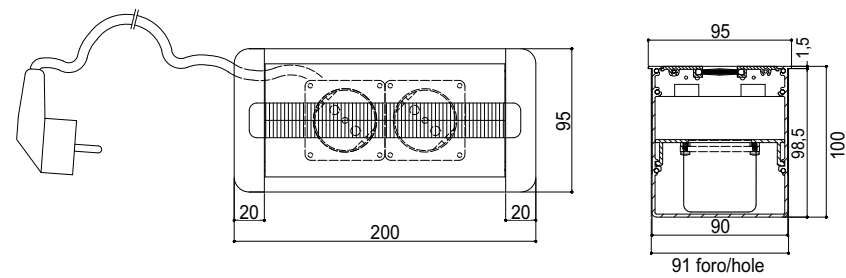


**finiture/finishings:** E228  
 nero opaco con fondo con n.2 prese schuko a 45° incluso cavo finale con presa schuko /  
 mat black with primer with n.2 shuko at 45° sockets including final cable with schuko plug



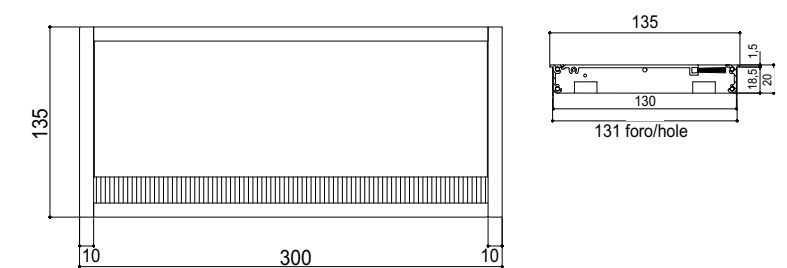
# PC 3014 I

**finiture/finishings:** E228  
 nero opaco con fondo con n.2 prese schuko a 45°  
 incluso cavo finale con presa schuko /  
 mat black with primer with n.2 shuko at 45° sockets  
 including final cable with schuko plug



# PC 4001 I con ammortizzatore with soft closing system

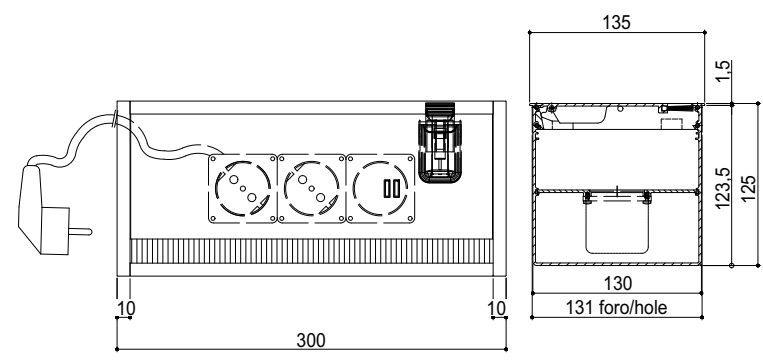
**finiture/finishings:** E215  
 alluminio metallizzato opaco con fondo /  
 mat metallized aluminium with primer  
 E228  
 nero opaco con fondo / mat black with primer  
 E229  
 bianco opaco con fondo / mat white with primer





**PC 4005 I**  
**con ammortizzatore**  
**with soft closing system**

finiture/finishings: E228  
nero opaco con fondo con n.2 prese schuko a 45°  
incluso cavo finale con presa schuko /  
mat black with primer with n.2 shuko at 45° sockets  
including final cable with schuko plug

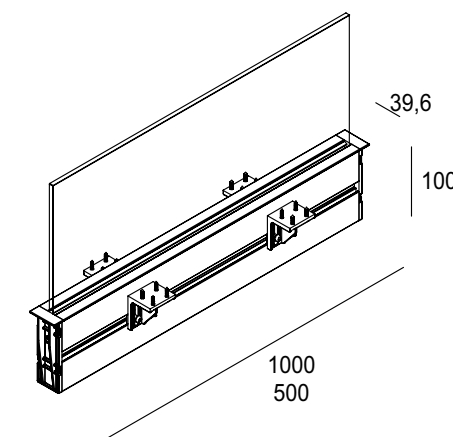


**PASSAVETRO  
GLASS HOLDER**

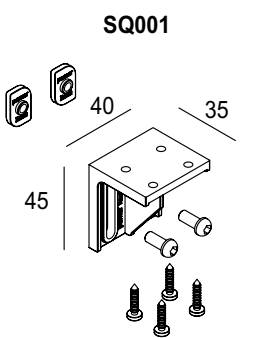
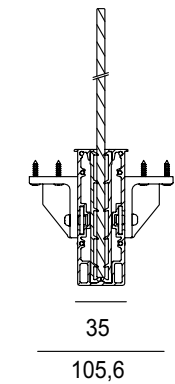


# PPV 001 I SQ001ZKT

finiture/finishings: E202  
nero opaco / mat black



spessore vetro 6-8 mm  
glass tickness 6-8 mm



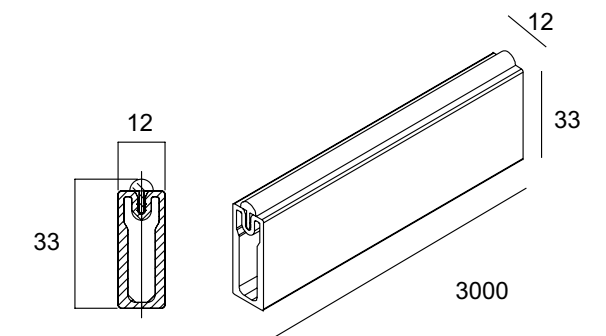
**TUBI E ACCESSORI  
TUBES AND ACCESSORIES**





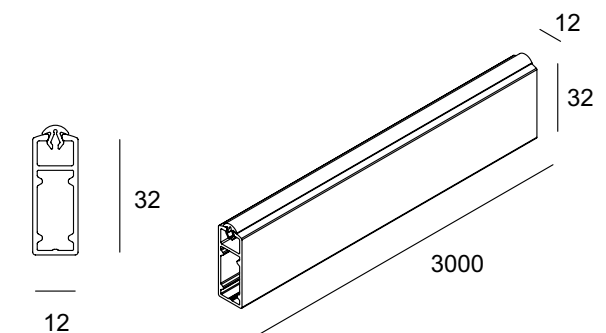
### TJ 3012 I

**finiture/finishings:** E2020129  
 nero opaco con guarnizione in gomma trasparente /  
 mat black with transparent rubber gasket  
 E4050129  
 bronzo opaco con guarnizione in gomma trasparente /  
 mat bronze with transparent rubber gasket  
 I1010129  
 alluminio anodizzato zero chimico  
 con guarnizione in gomma trasparente /  
 zero chemical anodized aluminium  
 with transparent rubber gasket



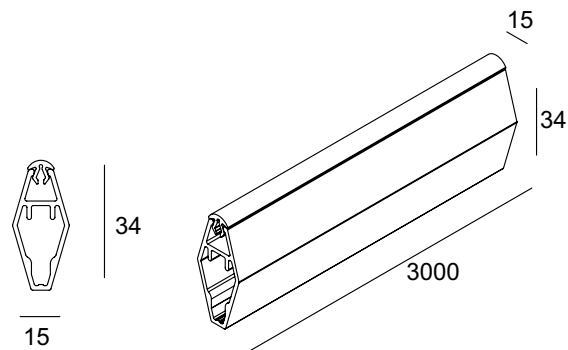
### TU 3001 I

**finiture/finishings:** E2020129  
 nero opaco con guarnizione in gomma trasparente /  
 mat black with transparent rubber gasket  
 E4050129  
 bronzo opaco con guarnizione in gomma trasparente /  
 mat bronze with transparent rubber gasket  
 I1010129  
 alluminio anodizzato zero chimico  
 con guarnizione in gomma trasparente /  
 zero chemical anodized aluminium  
 with transparent rubber gasket



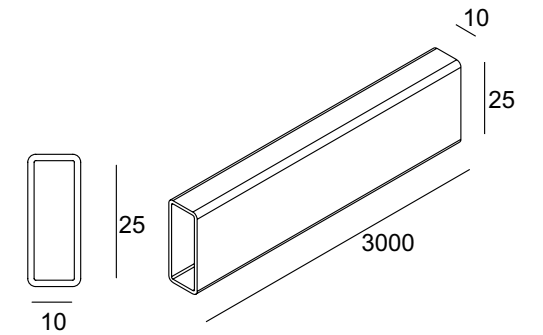
# TU 3003 I

**finiture/finishings:** E2020129  
 nero opaco con guarnizione in gomma trasparente /  
 mat black with transparent rubber gasket  
 I1010129  
 alluminio anodizzato zero chimico  
 con guarnizione in gomma trasparente /  
 zero chemical anodized aluminium  
 with transparent rubber gasket  
 E4050129  
 bronzo opaco con guarnizione in gomma trasparente /  
 mat bronze with transparent rubber gasket



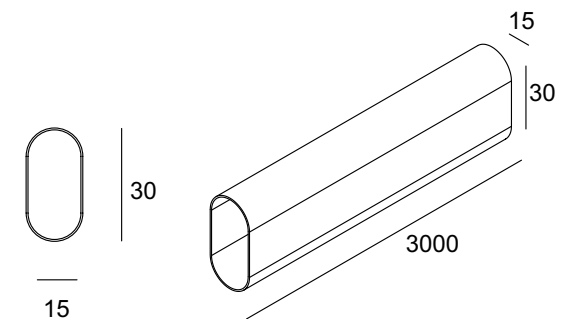
# TL 2510 L

**finiture/finishings:** G104  
 cromato lucido / brigh chrome plated



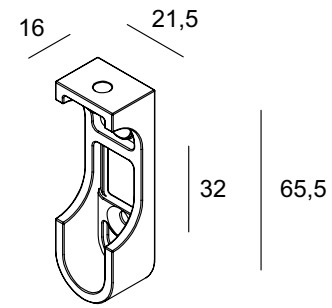
# TV 3015 L

**finiture/finishings:** G104  
 cromato lucido / brigh chrome plated



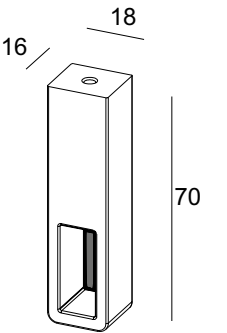
**VR 042 Z**

finiture/finishings: G104  
 cromato lucido / brigh chrome plated  
 adatto per / suitable for: TV 3015 L



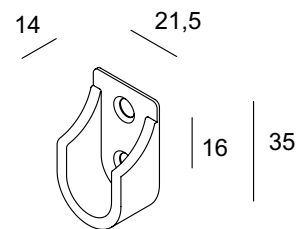
**VR 085 Z**

finiture/finishings: G104  
 cromato lucido / brigh chrome plated  
 adatto per / suitable for: TL 2510 L



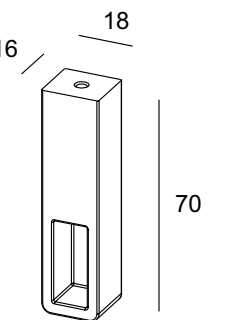
**VR 046 Z**

finiture/finishings: G104  
 cromato lucido / brigh chrome plated  
 adatto per / suitable for: TV 3015 L



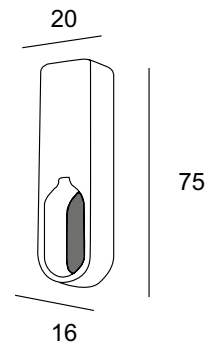
**VR 086 Z**

finiture/finishings: G104  
 cromato lucido / brigh chrome plated  
 adatto per / suitable for: TL 2510 L



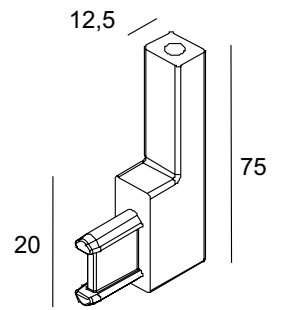
### VR 098 Z

**finiture/finishings:** G104  
cromato lucido / brigh chrome plated  
**adatto per / suitable for:** TV 3015 L



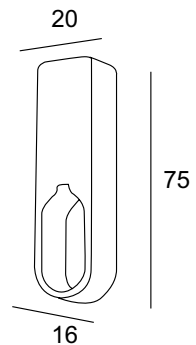
### VR 160 Z

**finiture/finishings:** E101  
alluminio metallizzato opaco / mat metallized aluminium  
E130  
nero opaco / mat black  
E405  
metallizzato bronzo opaco / mat metallized bronze  
**adatto per / suitable for:** TJ 3012 I



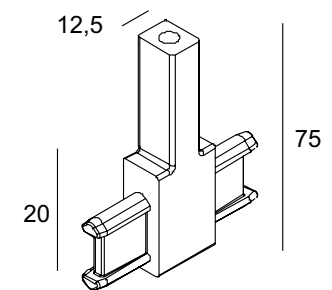
### VR 099 Z

**finiture/finishings:** G104  
cromato lucido / brigh chrome plated  
**adatto per / suitable for:** TV 3015 L



### VR 161 Z

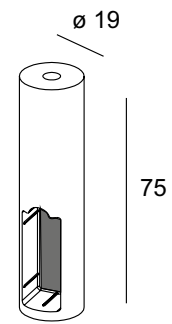
**finiture/finishings:** E101  
alluminio metallizzato opaco / mat metallized aluminium  
E130  
nero opaco / mat black  
E405  
metallizzato bronzo opaco / mat metallized bronze  
**adatto per / suitable for:** TJ 3012 I





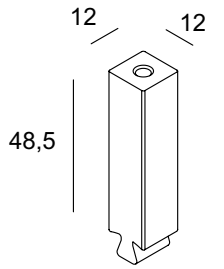
### VR 167 Z

**finiture/finishings:** E101  
alluminio metallizzato opaco / mat metallized aluminium  
E130  
nero opaco / mat black  
E221  
metallizzato bronzo opaco / mat metallized bronze  
**adatto per / suitable for: TJ 3012 I**



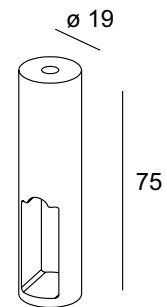
### VR 176 Z

**finiture/finishings:** E101  
alluminio metallizzato opaco / mat metallized aluminium  
E130  
nero opaco / mat black  
E221  
metallizzato bronzo opaco / mat metallized bronze  
**adatto per / suitable for: TU 3001 I**



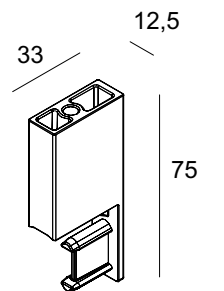
### VR 168 Z

**finiture/finishings:** E101  
alluminio metallizzato opaco / mat metallized aluminium  
E130  
nero opaco / mat black  
E221  
metallizzato bronzo opaco / mat metallized bronze  
**adatto per / suitable for: TJ 3012 I**



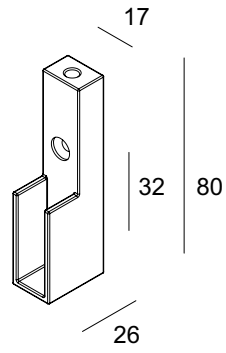
### VR 182 Z

**finiture/finishings:** E101  
alluminio metallizzato opaco / mat metallized aluminium  
E130  
nero opaco / mat black  
E221  
metallizzato bronzo opaco / mat metallized bronze  
**adatto per / suitable for: TU 3001 I**



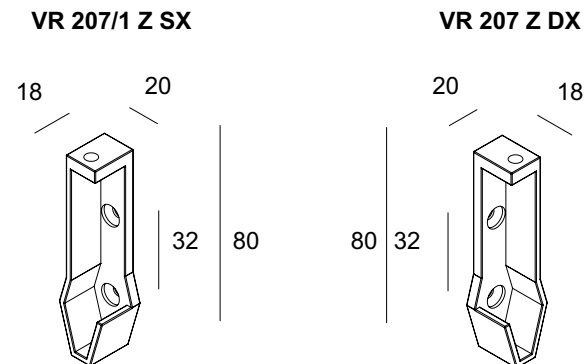
### VR 206 Z

**finiture/finishings:** E101  
alluminio metallizzato opaco / mat metallized aluminium  
E130  
nero opaco / mat black  
E221  
metallizzato bronzo opaco / mat metallized bronze  
**adatto per / suitable for:** TJ 3012 I e TU 3001 I



### VR 207 Z dx VR 207/1 Z sx

**finiture/finishings:** E101  
alluminio metallizzato opaco / mat metallized aluminium  
E130  
nero opaco / mat black  
E221  
metallizzato bronzo opaco / mat metallized bronze  
**adatto per / suitable for:** TU 3003 I



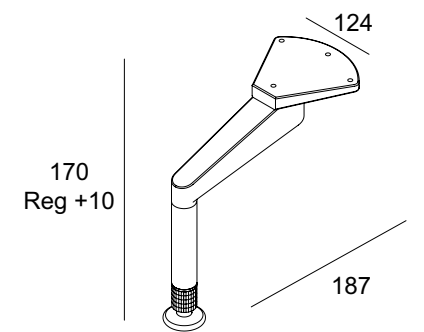
**PIEDINI  
FEET**



**PG 025 /12 Z**  
**(REGOLABILE / ADJUSTABLE)**

finiture/finishings: E101  
alluminio metallizzato opaco / mat metallized aluminium  
E130  
nero opaco / mat black

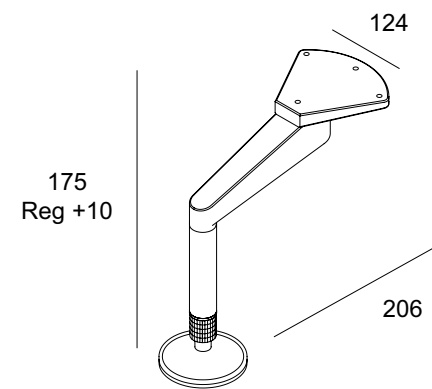
altezza minima / minimum height: 170 mm



# PG 025 /9 Z (REGOLABILE / ADJUSTABLE)

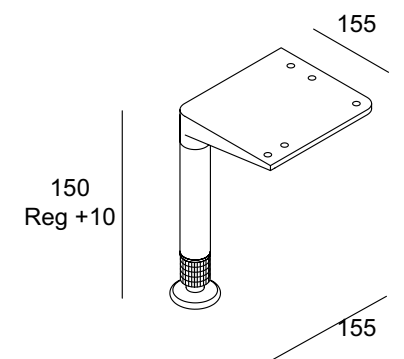
finiture/finishings: E101  
alluminio metallizzato opaco / mat metallized aluminium  
E130  
nero opaco / mat black

altezza minima / minimum height: 175 mm



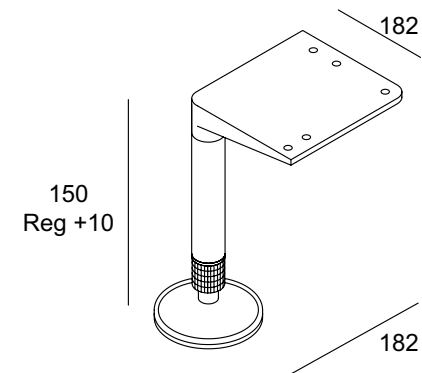
# PG 027 /12 Z (REGOLABILE / ADJUSTABLE)

finiture/finishings: E101  
alluminio metallizzato opaco / mat metallized aluminium  
E130  
nero opaco / mat black



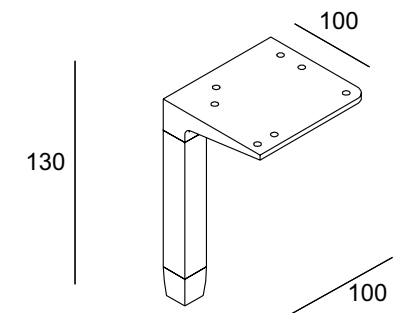
**PG 027 /9 Z**  
**(REGOLABILE / ADJUSTABLE)**

finiture/finishings: E101  
 alluminio metallizzato opaco / mat metallized aluminium  
 E130  
 nero opaco / mat black



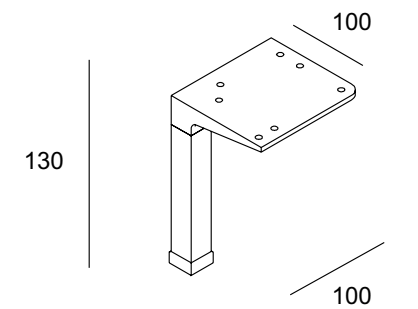
**PU 026 /1 Z**

finiture/finishings: E101  
 alluminio metallizzato opaco / mat metallized aluminium  
 E130  
 nero opaco / mat black



**PU 026 /3 Z**

finiture/finishings: E101  
 alluminio metallizzato opaco / mat metallized aluminium  
 E130  
 nero opaco / mat black

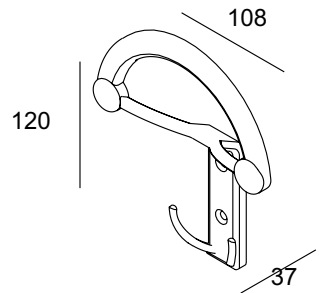


**PORTABITI  
HOOKS**



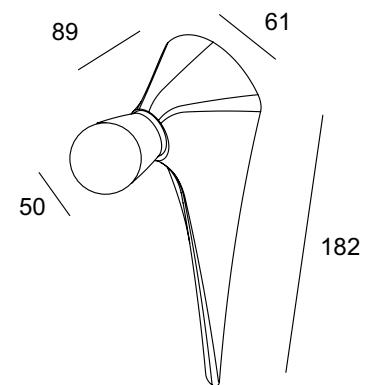
### PA 055 Z

finiture/finishings: E101  
alluminio metallizzato opaco / mat metallized aluminium  
E130  
nero opaco / mat black



### PA 056 Z

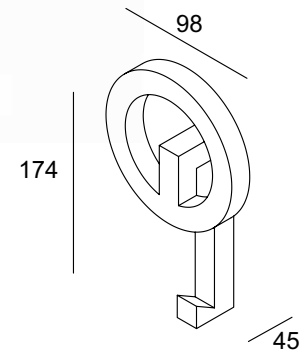
finiture/finishings: E101  
alluminio metallizzato opaco / mat metallized aluminium  
E130  
nero opaco / mat black





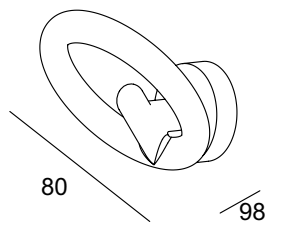
# PA 059 Z

finiture/finishings: E101  
alluminio metallizzato opaco / mat metallized aluminium  
E130  
nero opaco / mat black



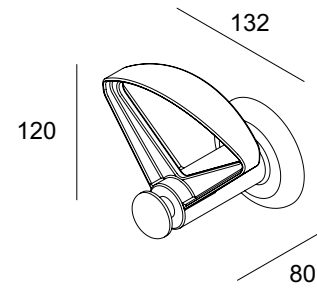
# PA 060 Z

finiture/finishings: E101  
alluminio metallizzato opaco / mat metallized aluminium  
E130  
nero opaco / mat black



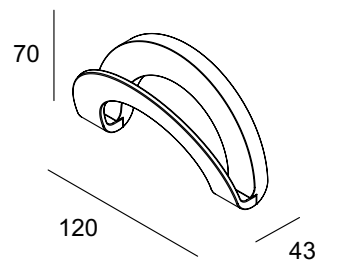
### PA 062 Z

finiture/finishings: E101  
alluminio metallizzato opaco / mat metallized aluminium  
E130  
nero opaco / mat black



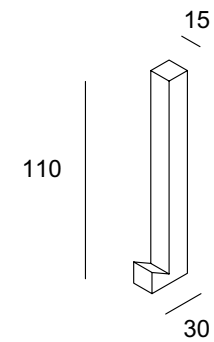
### PA 072 Z

finiture/finishings: G104  
cromato lucido / bright chrome plated



### PA 068 Z

finiture/finishings: E101  
alluminio metallizzato opaco / mat metallized aluminium  
E130  
nero opaco / mat black

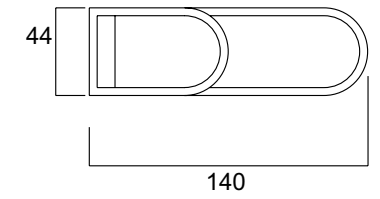


**REGGIMENSOLE  
SHELF HOLDERS**



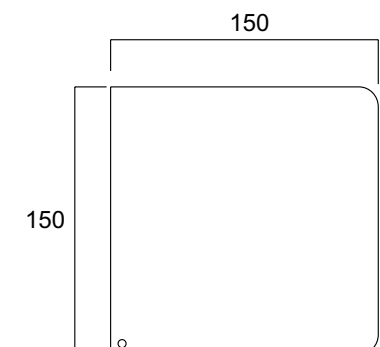
**RM 009 Z**

**finiture/finishings:** G104  
 cromato lucido / brigh chrome plated  
 G124  
 nichel lucido satinato con vernice trasparente lucido /  
 bright satin nickel with bright transparent paint



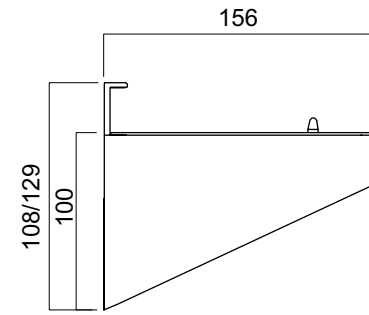
**RM 010 X**

**finiture/finishings:** X103  
 acciaio inox lucido / bright stainless steel



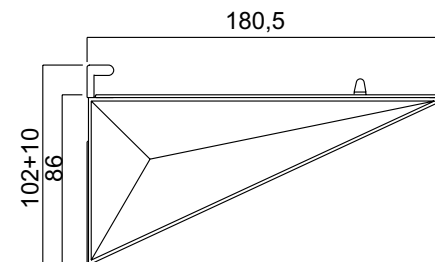
## RM 012 Z

**finiture/finishings:** E215  
alluminio metallizzato opaco con fondo /  
mat metallized aluminium with primer  
E228  
nero opaco con fondo / mat black with primer



## RM 013 Z

**finiture/finishings:** E215  
alluminio metallizzato opaco con fondo /  
mat metallized aluminium with primer  
G104  
cromato lucido / brigh chrome plated



---

**PRIVACY**

I modelli Pamar sono protetti da brevetto internazionale.  
La contraffazione sarà perseguita a termine di legge.

International patents have been deposited for Pamar models.  
Imitations will be punished by law.

Die Modelle Pamar sind durch internationales Patent geschützt.  
Fälschungen sind strafbar und werden gesetzmäßig verfolgt.

Les modèles Pamar sont couverts par un brevet international.  
La contrefaçon sera poursuivie aux termes de la loi.

Los modelos Pamar están protegidos por patente internacional.  
La imitación será demandada según las leyes.

**AVVERTENZA**

Pamar Srl si riserva la facoltà di modificare le caratteristiche tecniche degli elementi illustrati nel presente catalogo in qualunque momento che si ritiene necessario.  
Descrizioni, foto, colori e misure indicate per i prodotti presenti in catalogo sono solamente indicativi.

**ATTENTION**

Pamar Srl reserves the right to change technical specifications of products illustrated in this catalogue at any time it deems necessary.  
Descriptions, photos, finishes and product sizes showed in the catalogue are not binding.

---

photo

**Lorenzo Pennati**  
**Andrea Basile**

copy, translations and supervisor

**Elena Redaelli**

print and color separation

**Grafica Gioia**

proudly powered by

**Pamar S.r.l.**  
via Sirtori, 41 - 20838 Renate (MB) - Italy  
t +39 0362 924661/2/3 - f +39 0362 924612  
**pamar@pamar.it www.pamar.it**

